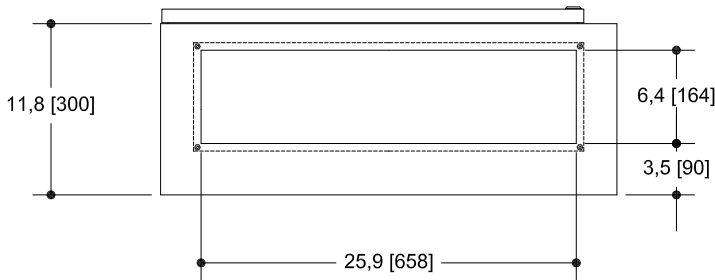
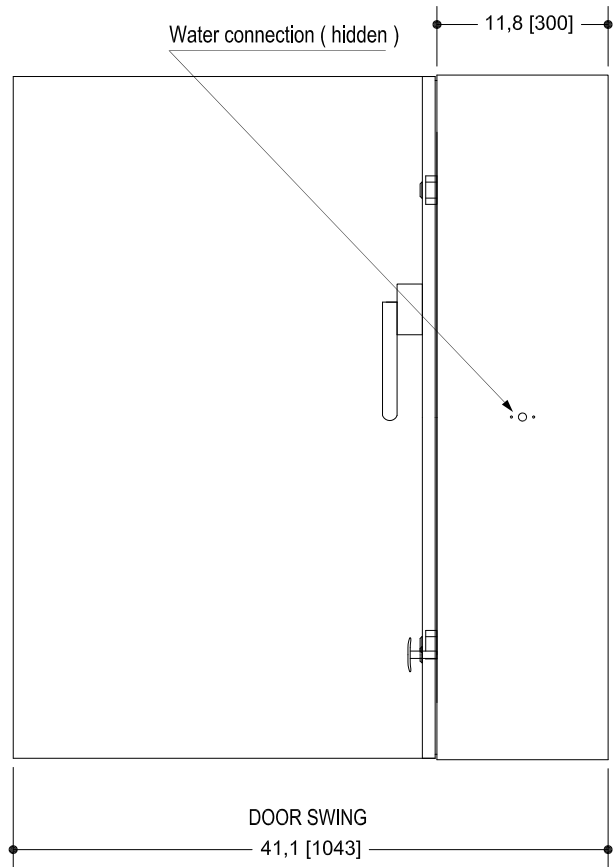
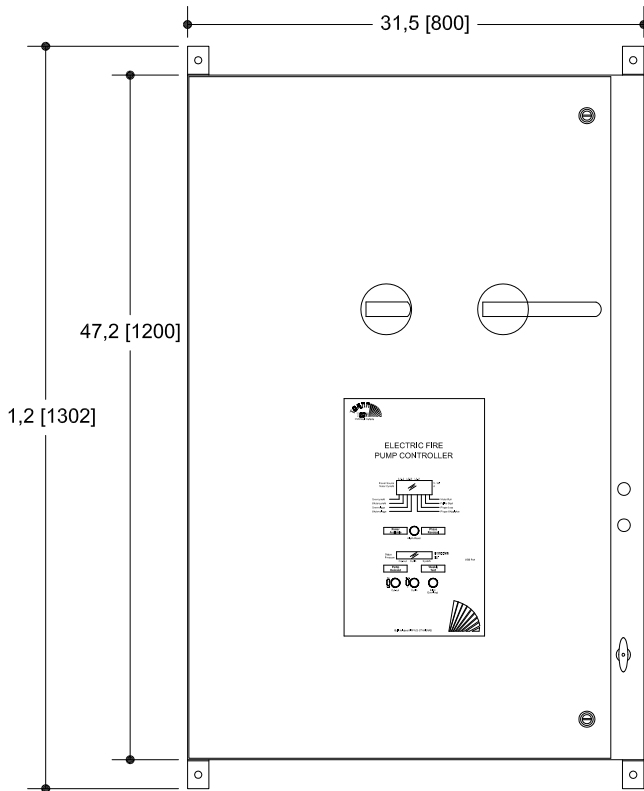


Dimensions

BUILT TO LATEST NFPA 20 STANDARD EDITION



Power Table		
Voltage	Min	Max
380 / 400 / 415	150 HP	350 HP
	110 kW	260 kW

NOTES :

- ALL DIMENSIONS ARE IN INCHES (MILLIMETERS).
- FINISHED FIRE PUMP RED.
- BOTTOM CONDUIT ENTRANCE RECOMMENDED.
- USE WATERTIGHT CONDUIT CONNECTOR ONLY.
- PROTECT EQUIPMENT AGAINST DRILLING CHIPS.
- AMBIENT TEMPERATURE : BETWEEN 41°F (5°C) AND 122°F (50°C).
- FOR ELECTRICAL RATING & OPTIONS INCLUDED, SEE RATING LABEL.

Drawing for information only.  
 Manufacturer reserves the right to modify this drawing without notice.  
 For drawing for approval or installation, please contact manufacturer.

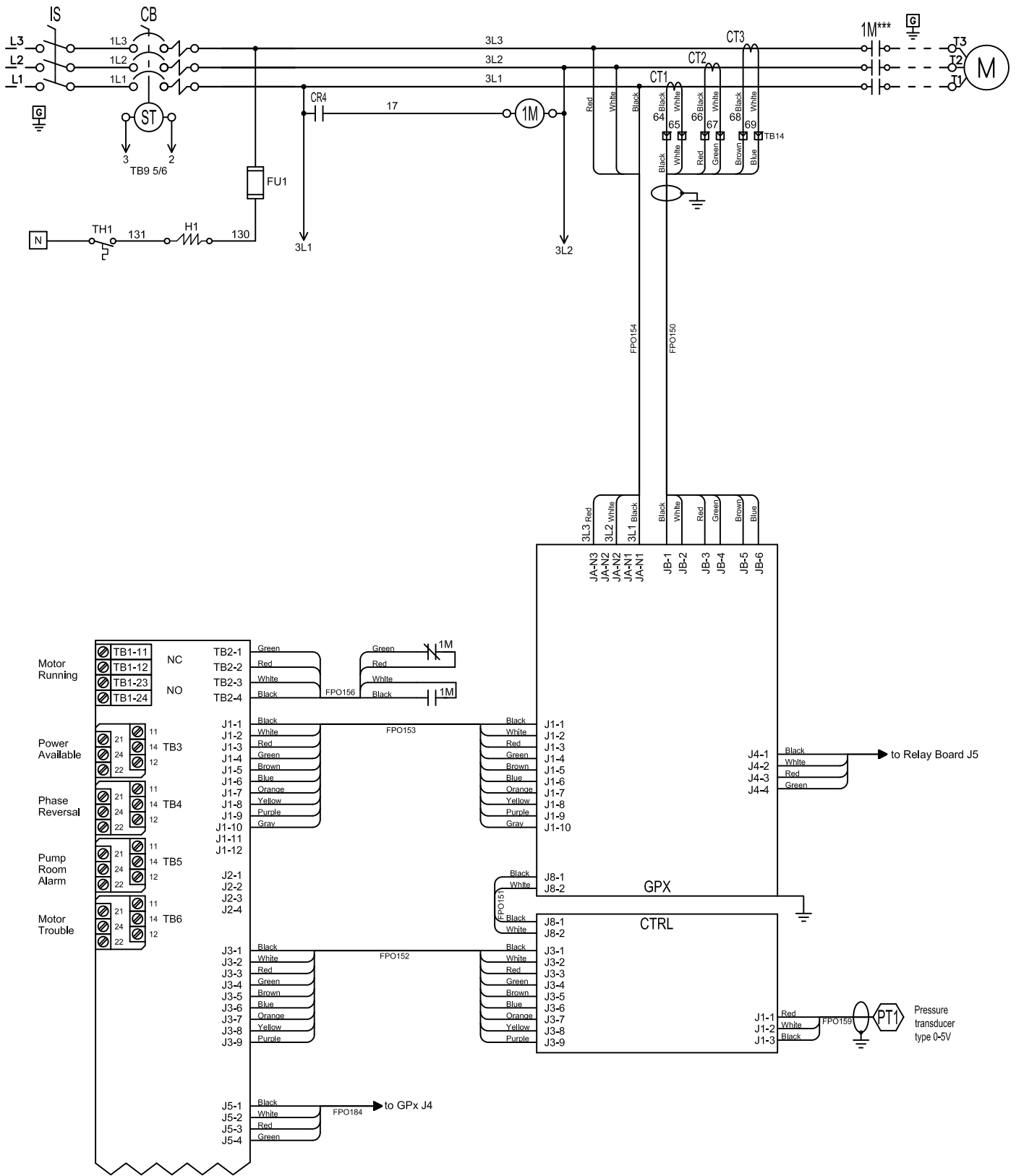
# ELECTRIC FIRE PUMP CONTROLLER

## FULL VOLTAGE / ACROSS THE LINE

MODEL : GFA

Wiring schematic

BUILT TO LATEST NFPA 20 STANDARD EDITION



OPTIONS INCLUDED									

\*\*\* Contact closed when Emergency Start is in ON position



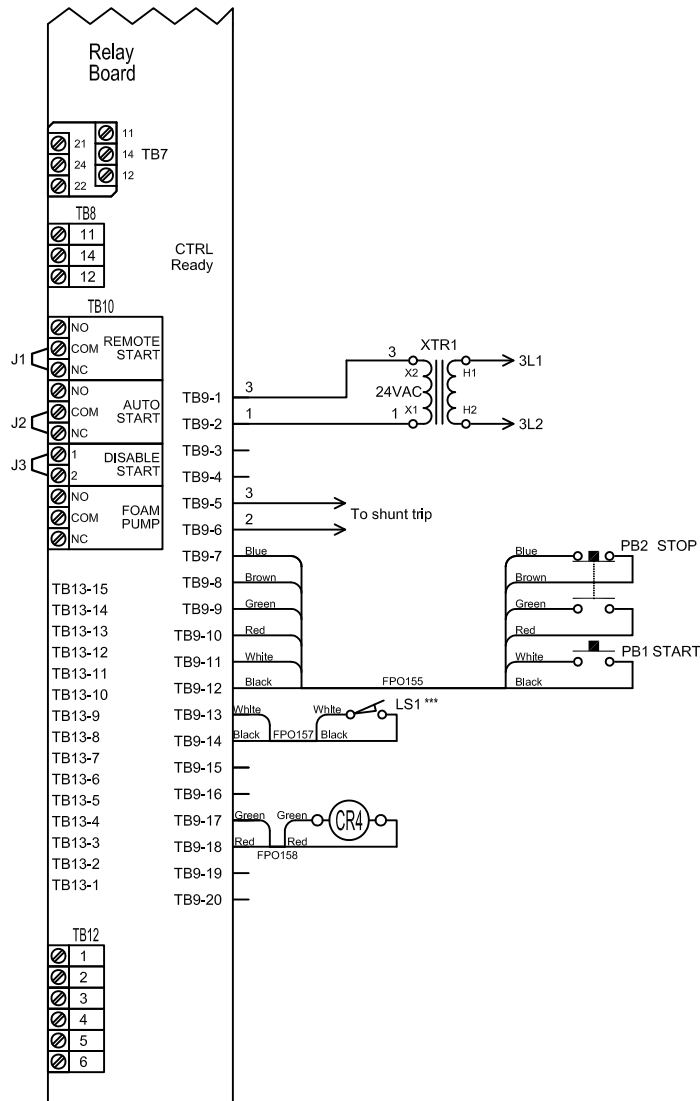
REV.	DATE	DESCRIPTION	DES.	APP.	Drawing No.
1.	10/07/19	FIRST ISSUE	DES.	VER.	GFA-0000-S1 1/3 /E

# ELECTRIC FIRE PUMP CONTROLLER FULL VOLTAGE / ACROSS THE LINE

MODEL : GFA

Wiring schematic

BUILT TO LATEST NFPA 20 STANDARD EDITION



\*\*\* Contact closed when Emergency Start is in ON position



REV.	DATE	DESCRIPTION	DES.	APP.	Drawing No.
1.	10/07/19	FIRST ISSUE	VER.		GFA-0000-S1 2/3 /E

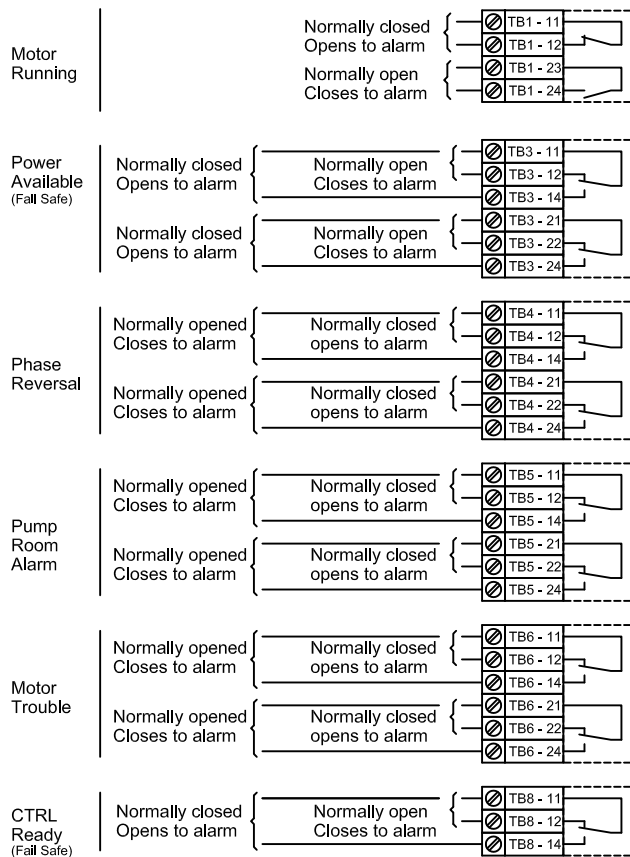
# ELECTRIC FIRE PUMP CONTROLLER FULL VOLTAGE / ACROSS THE LINE

MODEL : GFA

Terminal diagram

BUILT TO LATEST NFPA 20 STANDARD EDITION

## Remote Alarm Terminal



## Control Terminal

