

NOTES :

- ALL DIMENSIONS ARE IN INCHES (MILLIMETERS).
- FINISHED FIRE PUMP RED.
- BOTTOM CONDUIT ENTRANCE RECOMMENDED.
- USE WATERTIGHT CONDUIT CONNECTOR ONLY.
- PROTECT EQUIPMENT AGAINST DRILLING CHIPS.
- AMBIENT TEMPERATURE : BETWEEN 41°F (5°C) AND 122°F (50°C).
- FOR ELECTRICAL RATING & OPTIONS INCLUDED, SEE RATING LABEL.

Drawing for information only.  
 Manufacturer reserves the right to modify this drawing without notice.  
 For drawing for approval or installation, please contact manufacturer.

Power Table		
Voltage	Min	Max
380 /400 / 415	5 HP	100 HP
	7.5 kW	90 kW



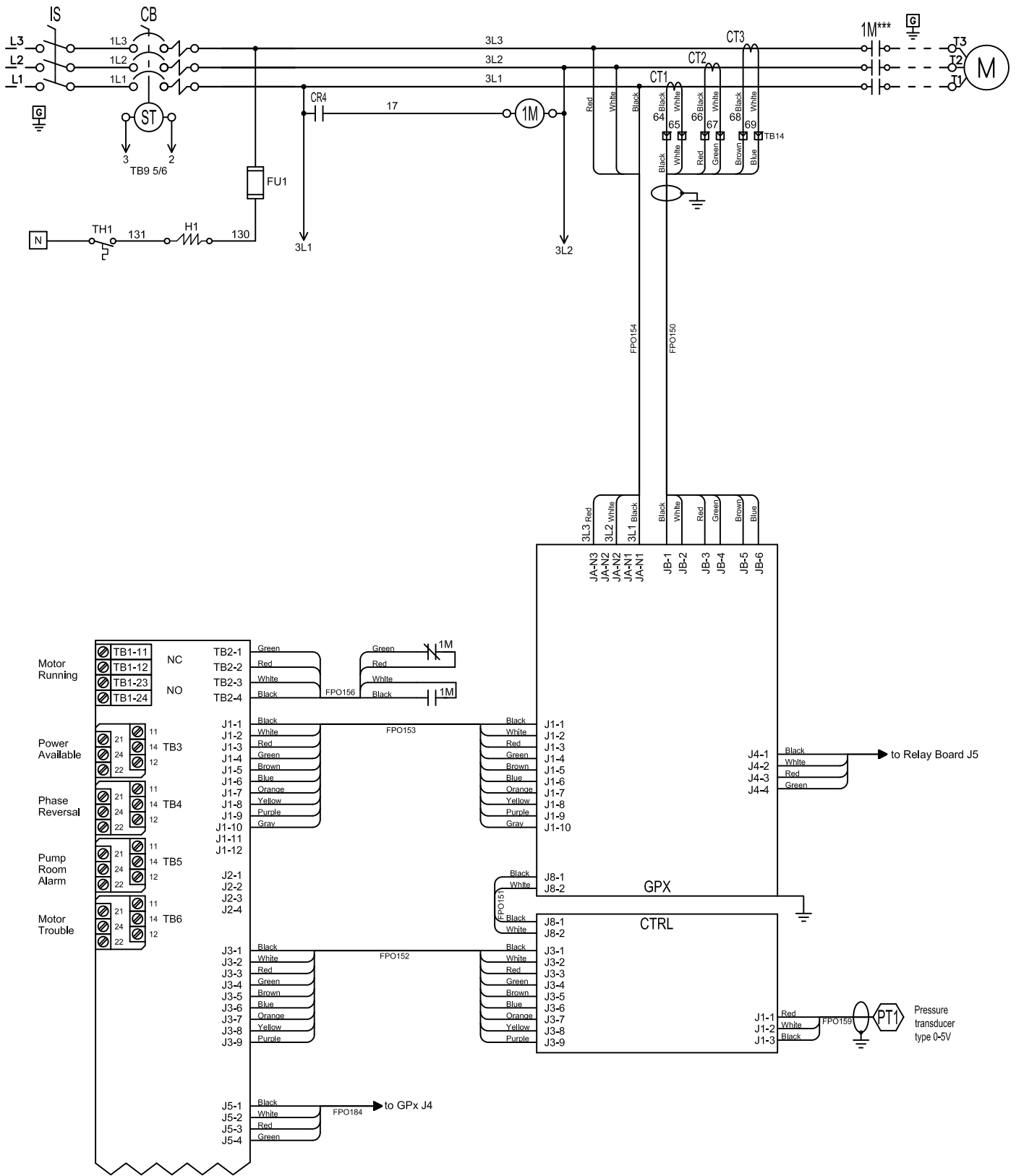
REV.	DATE	DESCRIPTION	APP.	DRAWING No.
2.	10/11/30	HP TABLE CHANGED	DES.	GFA-0000-D1
1.	10/07/20	FIRST ISSUE	VER.	
			APP.	

# ELECTRIC FIRE PUMP CONTROLLER FULL VOLTAGE / ACROSS THE LINE

MODEL : GFA

Wiring schematic

BUILT TO LATEST NFPA 20 STANDARD EDITION



OPTIONS INCLUDED									

\*\*\* Contact closed when Emergency Start is in ON position



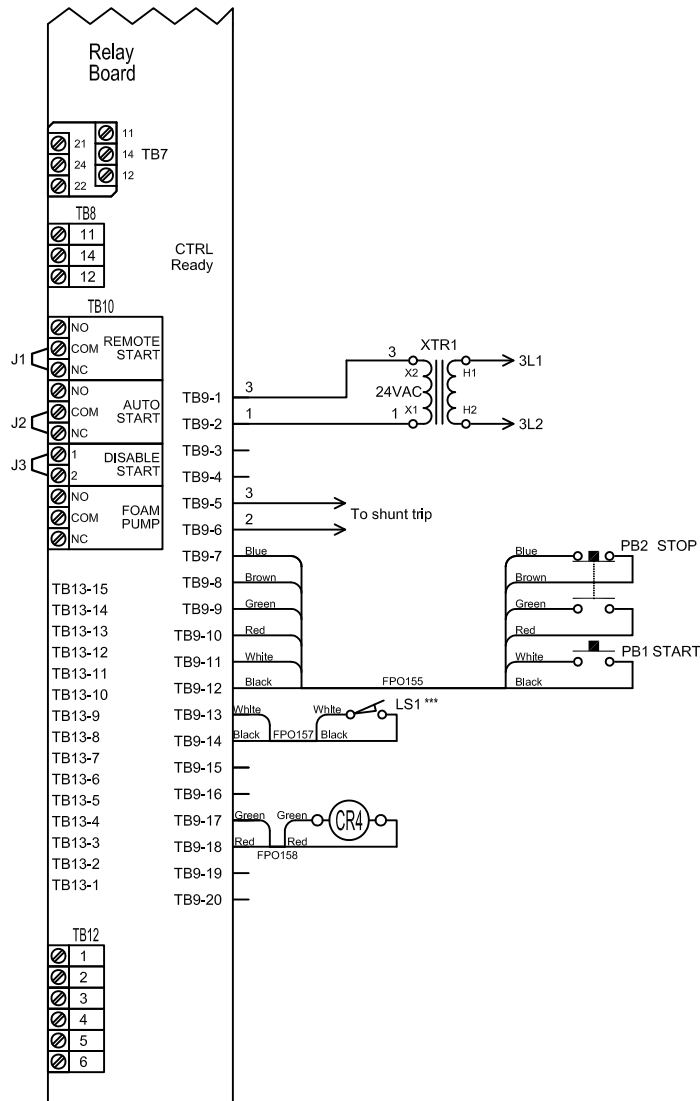
REV.	DATE	DESCRIPTION	DES.	APP.	Drawing No.
1.	10/07/19	FIRST ISSUE	DES.	VER.	GFA-0000-S1 1/3 /E

# ELECTRIC FIRE PUMP CONTROLLER FULL VOLTAGE / ACROSS THE LINE

MODEL : GFA

Wiring schematic

BUILT TO LATEST NFPA 20 STANDARD EDITION



\*\*\* Contact closed when Emergency Start is in ON position



			DES.	Drawing No.
1.	10/07/19	FIRST ISSUE	VER.	GFA-0000-S1 2/3 /E
REV.	DATE	DESCRIPTION	APP.	

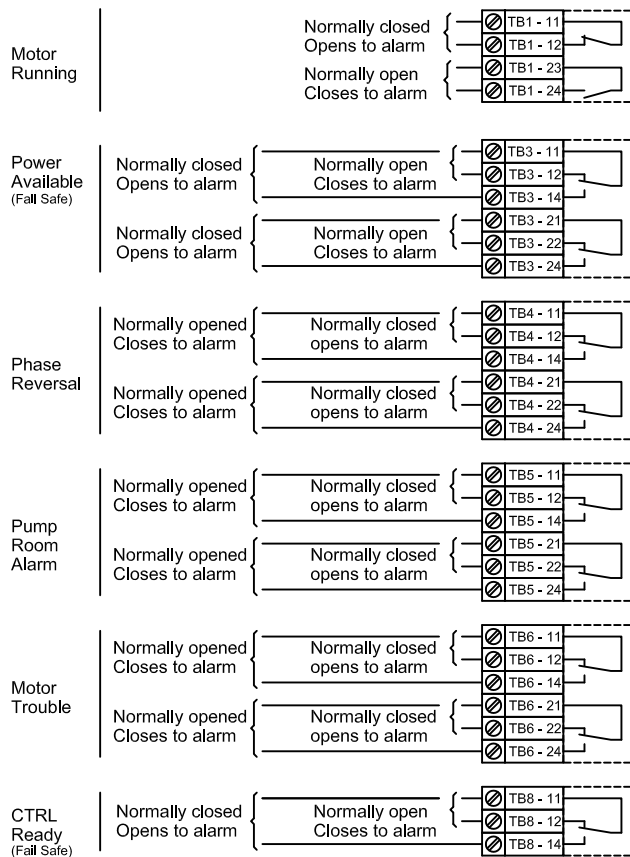
# ELECTRIC FIRE PUMP CONTROLLER FULL VOLTAGE / ACROSS THE LINE

MODEL : GFA

Terminal diagram

BUILT TO LATEST NFPA 20 STANDARD EDITION

## Remote Alarm Terminal



## Control Terminal

