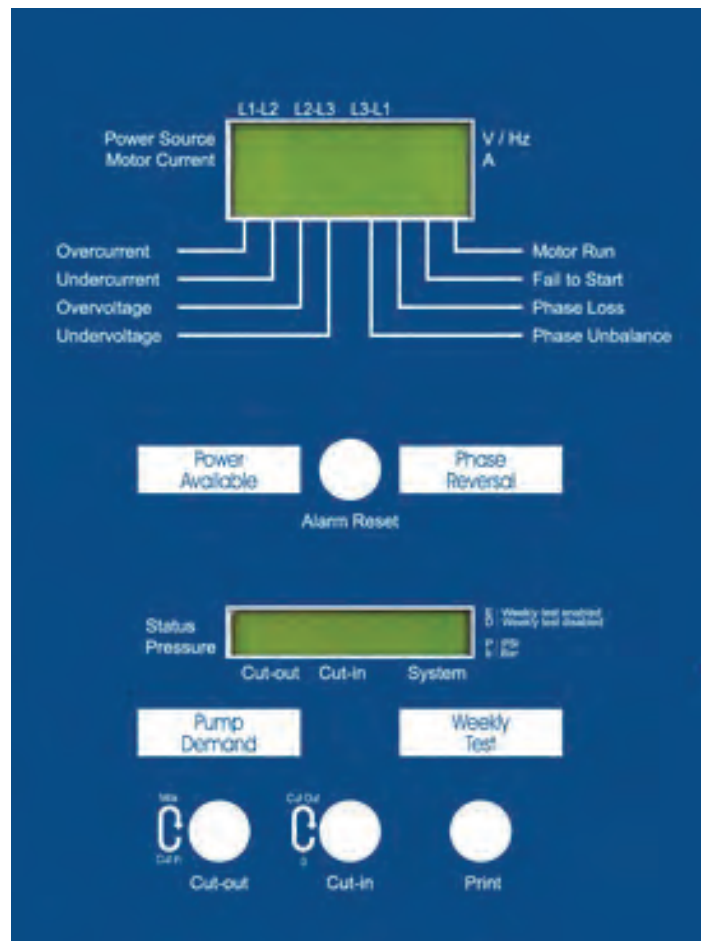


GFY
MODEL

**Reduced Voltage
Wye Delta Open Transition Starter
Electric Fire Pump Controller
Micro-processor based**

ANNUNCIATOR AND LCD DISPLAY



Voltage and amperage module provides for:

- Phase sequence / Loss monitoring & alarms
- Individual phase-to-phase voltage indication
- Individual phase current indication
- True elapsed run time
- Motor run visual indication
- Over & under current visual indication
- Over & under voltage visual indication
- Fail to start visual indication
- Phase loss visual indication
- Phase unbalance visual indication
- Power available LED
- Phase reversal LED

Pressure and Sequencing module provides for:

- Cut-in & Cut-out pressure setting
- System pressure indication
- Run period timer
- Sequential start timer
- Weekly test programming
- Pressure & event recording
- Pump on demand LED
- Weekly test LED
- USB (slave) communication port



GFY
MODEL



**Reduced Voltage
Wye Delta Open Transition Starter
Electric Fire Pump Controller
Micro-processor based**

HOW TO ORDER: GFY - V / kW / Ph / Hz + options
Ex.: GFY - 400 / 55 / 3 / 50 + options

Tornatech Pte Ltd., Paya Ubi Industrial Park, 51 Ubi 1 Avenue, Unit # 01-18, Singapore 408933
Tel.: + 65 6844 3285 + 65 6844 3917 Fax: + 65 6844 8549
E-mail: tornatech@tornatech.com.sg www.tornatech.com.sg



GFY-BRO-002/E Rev.0
Subject to modification without notice
All rights reserved. Printed in Canada



10 - 11

Reduced Voltage Wye Delta Open Transition Starter Electric Fire Pump Controller Micro-processor based

The model GFY reduced voltage wye delta open transition fire pump controller built in compliance to the NFPA 20 provides for:

- Reduction of inrush current to 33% of normal in the wye connection. This type of controller is meant to be used where the capacity of the electric power source does not permit full voltage across-the-line starting.
- The open transition switchover from the wye to the delta (across-the-line) connection can result in a momentary peak current of up to or above the across-the-line inrush current.

The complete assembled and wired controllers are factory tested before shipping and ready for immediate installation.

The controllers are built with only high quality, internationally recognized brand components.

MAIN FEATURES:

- Fused isolation switch and circuit breaker operated by individual door interlocked handles
- Locked rotor protection, calibrated and set at the factory
- Emergency manual start handle
- IP 55 enclosure
- Digital indication of individual phase to phase voltage and current
- 15-day pressure and 15-day event recording viewable on display or retrievable through front door mounted USB slave communication port
- Phase reversal indication
- Programmable weekly test timer
- 304 stainless steel pressure transducer (0-300 psi)
- Bottom gland plate for power and/or motor leads entrance

kW	Dimensions	Shipping Weight
Up to 90	850mm high x 600mm long x 250mm wide	70 kg
110 to 250	1200mm high x 800mm long x 300mm wide	113 kg

* For other starting methods, please contact factory.



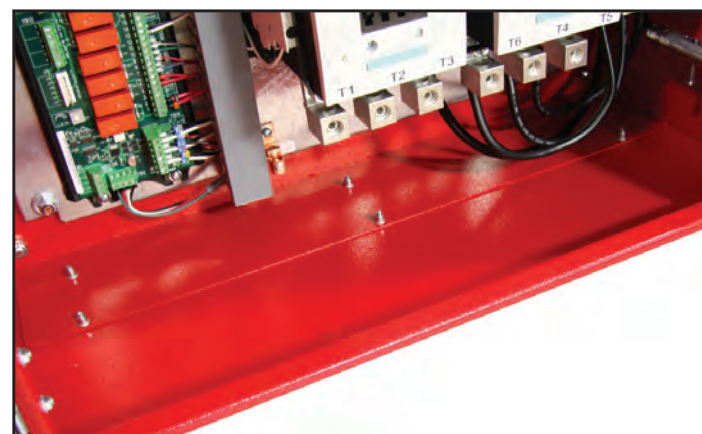
• Digital annunciator



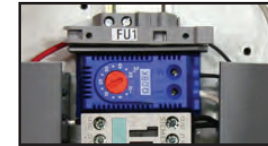
• Pressure transducer



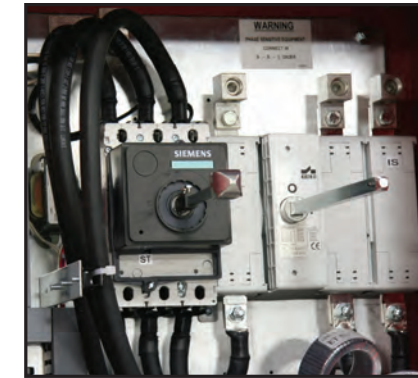
• USB (slave) communication port



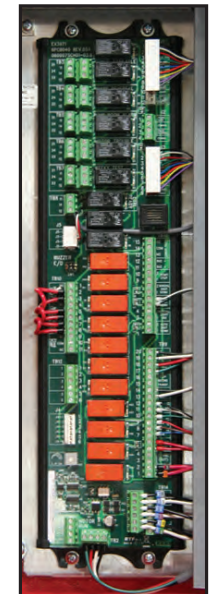
• Gland plate



• Anti-condensation heater and thermostat



• Isolating switch and circuit breaker



• Alarm contact connections



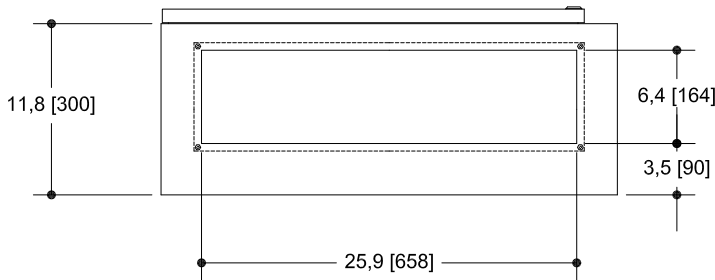
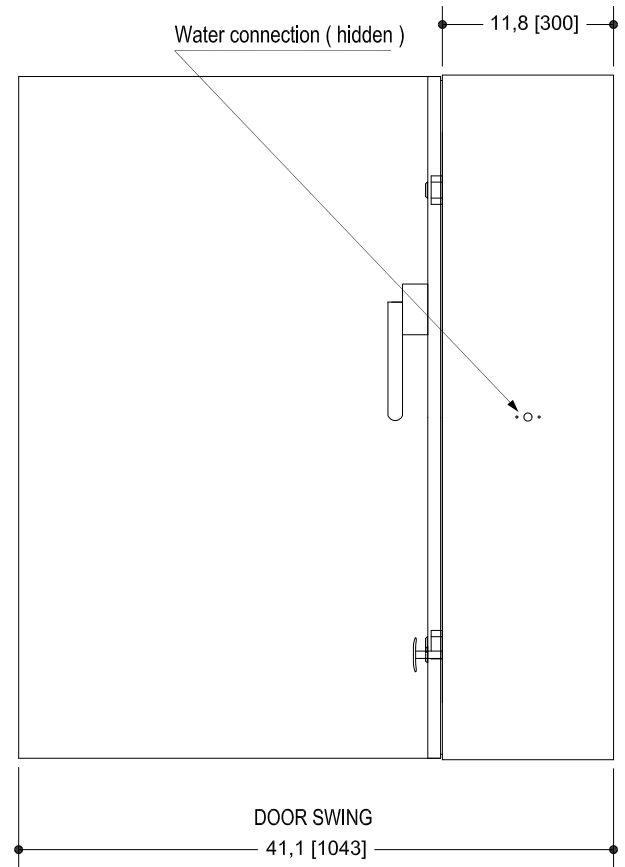
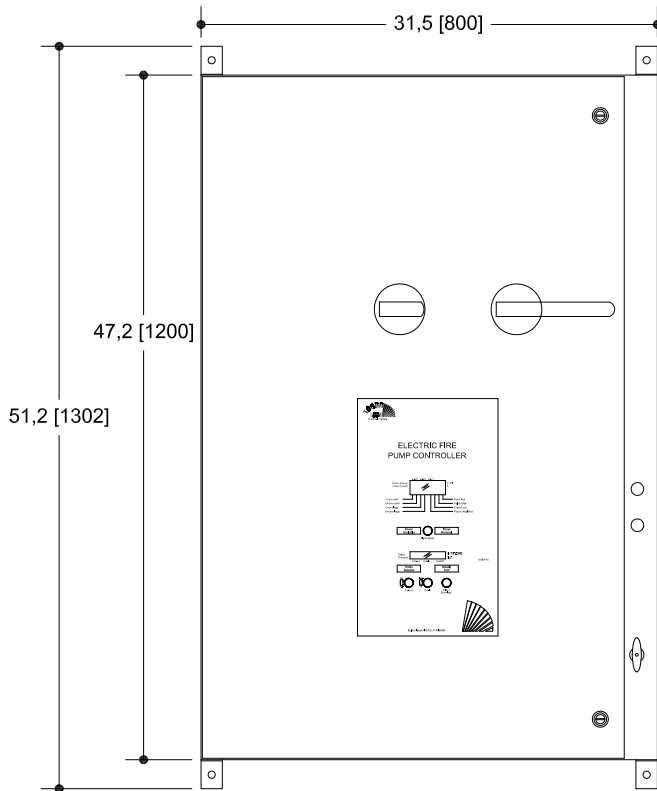
• Wye delta contactor set



• Emergency start handle

Dimensions

BUILT TO LATEST NFPA 20 STANDARD EDITION



Power Table		
Voltage	Min	Max
380 /400 / 415	150 HP	350 HP
	110 kW	260 kW

NOTES :

- ALL DIMENSIONS ARE IN INCHES (MILLIMETERS).
- FINISHED FIRE PUMP RED.
- BOTTOM CONDUIT ENTRANCE RECOMMENDED.
- USE WATERTIGHT CONDUIT CONNECTOR ONLY.
- PROTECT EQUIPMENT AGAINST DRILLING CHIPS.
- AMBIENT TEMPERATURE : BETWEEN 41°F (5°C) AND 122°F (50°C).
- FOR ELECTRICAL RATING & OPTIONS INCLUDED, SEE RATING LABEL.

Drawing for information only.
 Manufacturer reserves the right to modify this drawing without notice.
 For drawing for approval or installation, please contact manufacturer.



GFXDIM				DRAWING No.
				DES.
0.	10/11/30	FIRST ISSUE		VER.
REV.	DATE	DESCRIPTION		APP.

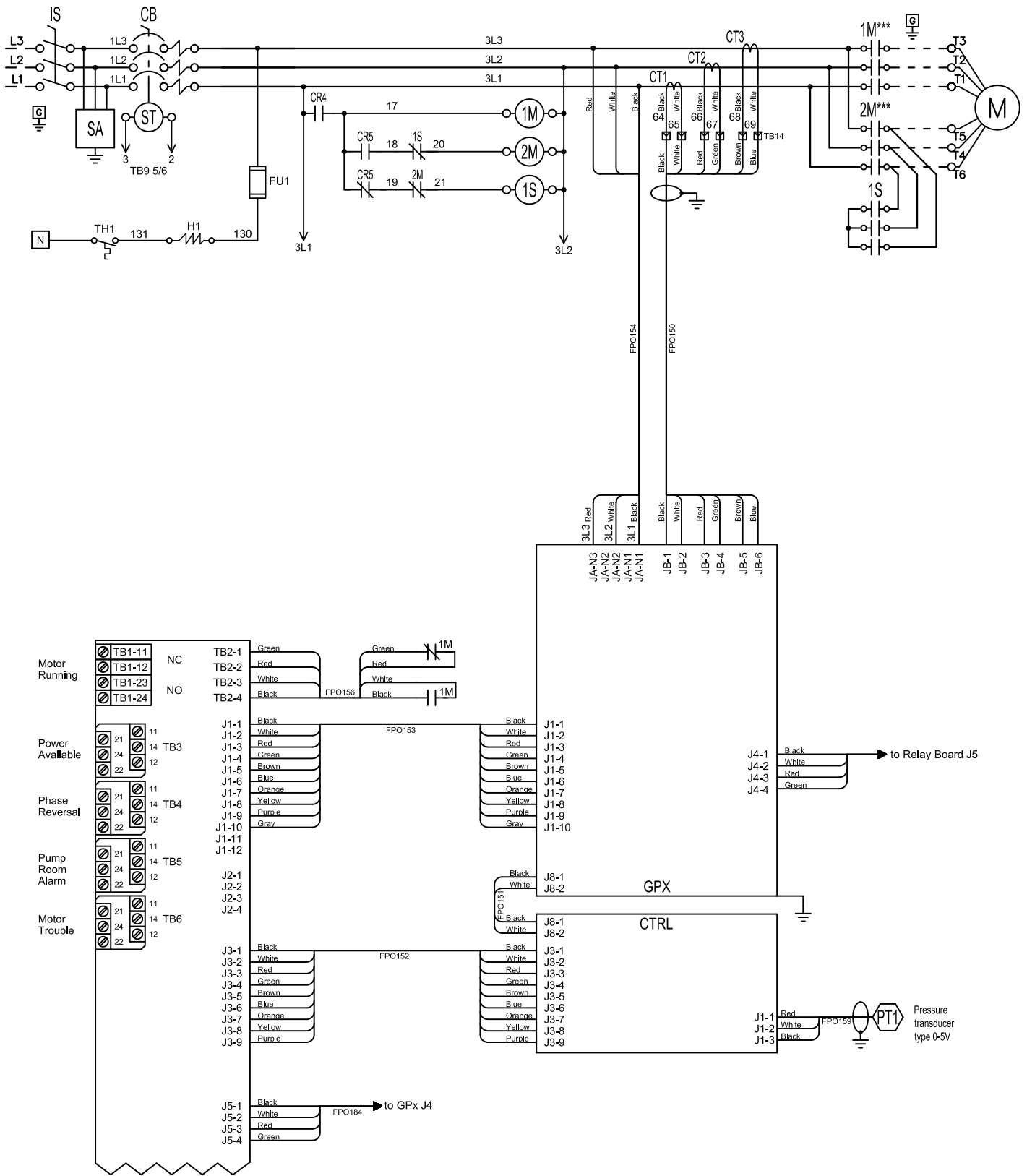
GFY-0002-D1

ELECTRIC FIRE PUMP CONTROLLER REDUCED VOLTAGE / WYE DELTA (OPEN TRANSITION)

MODEL : GFY

Wiring schematic

BUILT TO LATEST NFPA 20 STANDARD EDITION



OPTIONS INCLUDED									

*** Contact closed when Emergency Start is in ON position



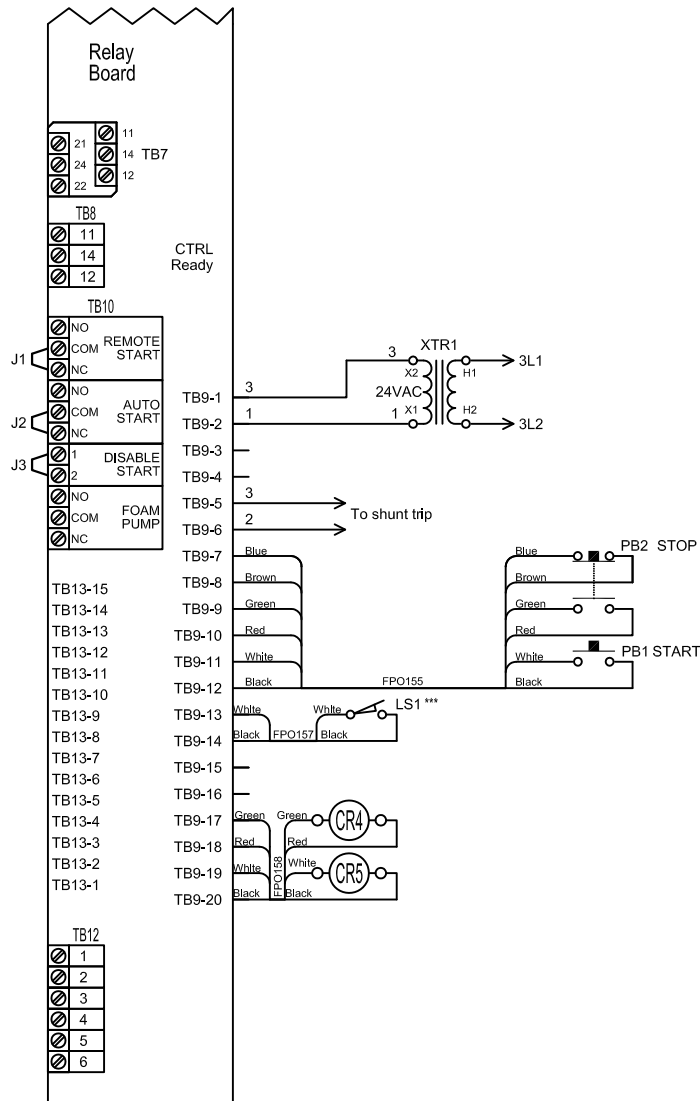
REV.	DATE	DESCRIPTION	DES.	APP.	Drawing No.
1.	10/07/19	FIRST ISSUE	VER.		GFY-0000-S1 1/3 /E

ELECTRIC FIRE PUMP CONTROLLER REDUCED VOLTAGE / WYE DELTA (OPEN TRANSITION)

MODEL : GFY

Wiring schematic

BUILT TO LATEST NFPA 20 STANDARD EDITION



*** Contact closed when Emergency Start is in ON position



			DES.	Drawing No.
1.	10/07/19	FIRST ISSUE	VER.	GFY-0000-S1 2/3 /E
REV.	DATE	DESCRIPTION	APP.	

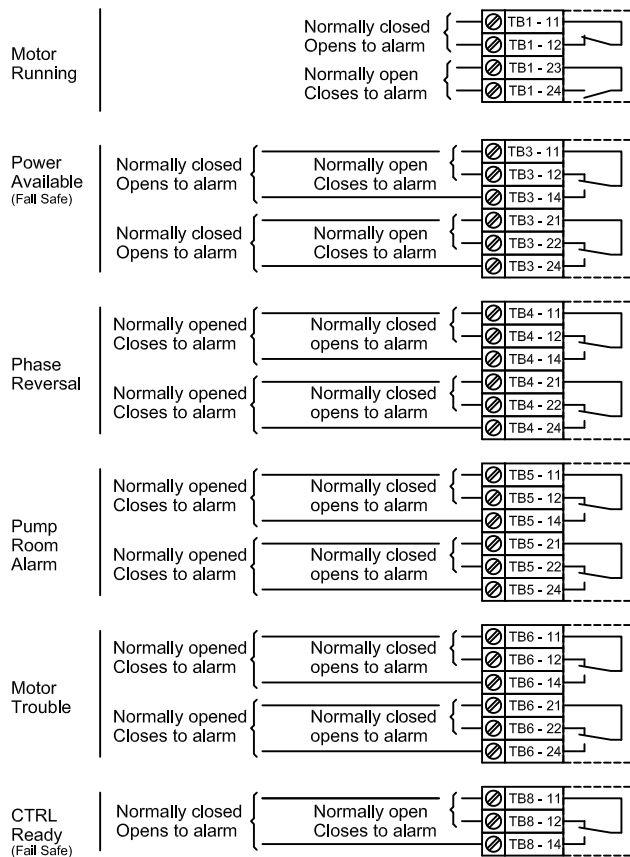
ELECTRIC FIRE PUMP CONTROLLER REDUCED VOLTAGE / WYE DELTA (OPEN TRANSITION)

MODEL : GFY

Terminal diagram

BUILT TO LATEST NFPA 20 STANDARD EDITION

Remote Alarm Terminal



Control Terminal

