



© Tornatech, Inc. Not for construction.
Subject to change without notice.

BY		DD/MM/YY
DRAWN BY	ACD	28/02/23
FINAL APPROVAL	FC	28/02/23

LIMITED SERVICE PUMP CONTROLLER WITH AUTOMATIC TRANSFER SWITCH

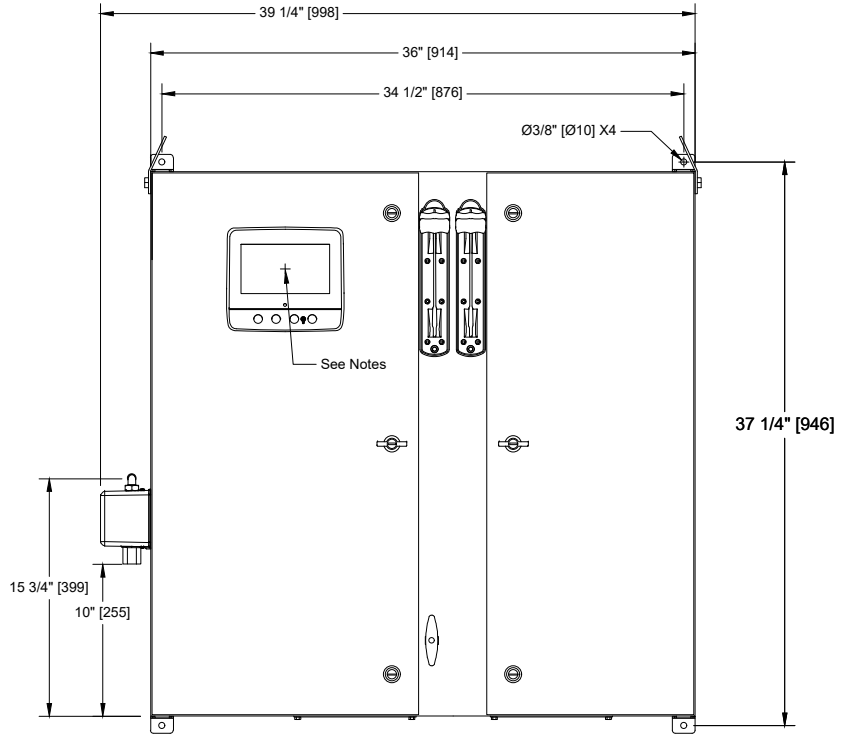
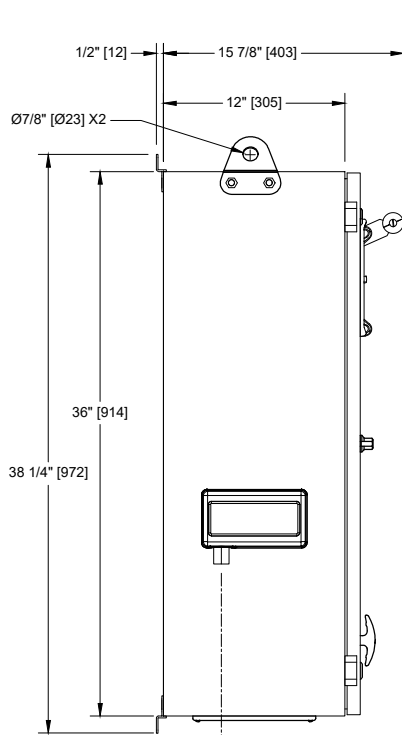
MODEL: GPL+GLU

BUILT TO THE LATEST EDITION OF THE NFPA20 & NFPA70



THIRD ANGLE
PROJECTION

DRAWING NUMBER	GPL-DI801/E
DWG REV. 0	
SHEET 1 OF 1	



Voltage / Power Table		
Voltage	Min HP	Max HP
1 Phase		
110 - 120	1	7.5
208	3	15
220 - 240	3	15
3 Phases		
208	3	30
220 - 240	3	30
380 - 400 - 415	3	30
440 - 480	3	30
600	3	30

Notes:

- Standard NEMA: NEMA 2
- Standard paint : textured red RAL 3002.
- All dimensions are in inches [millimeters].
- Center of screen: 29-5/8" [751] from bottom (no feet).
- Bottom conduit entrance through removable gland plate recommended.
- Use watertight conduit and connector only.
- Protect equipment against drilling chips.
- Door swing equal to door width.

