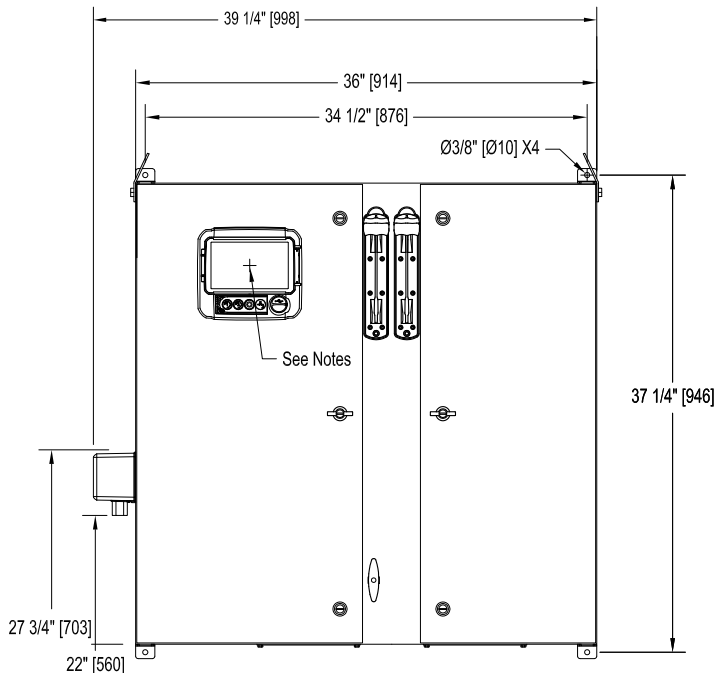
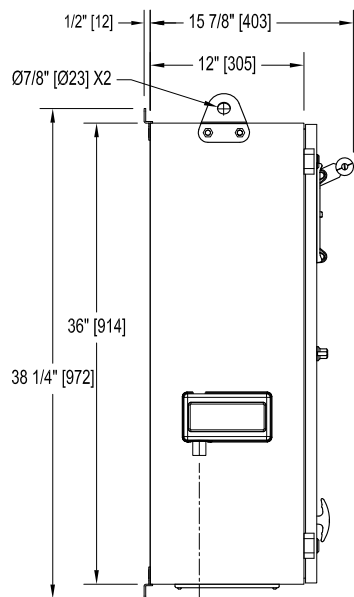


Electric Fire Pump Controller With Automatic Transfer Switch

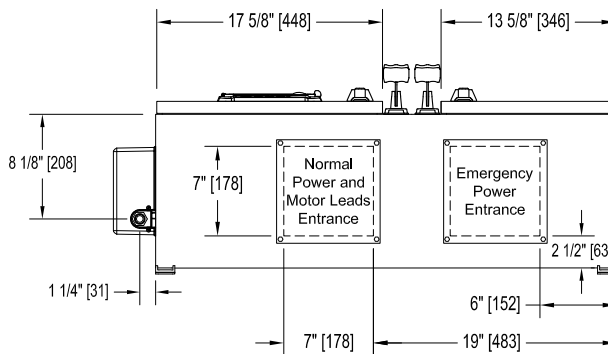
Dimensions

Model: GPL+GLU

Built to the latest edition of the NFPA 20 standard



----- Sensing Line Connection - 1/2 " F.NPT

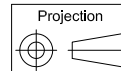


VOLT/Hz	HP RATING	
	MIN HP	MAX HP
1 PHASE		
110-120 / 60	1 HP	7.5 HP
200-208 / 50-60	3 HP	15 HP
230-240 / 50-60	3 HP	15 HP
3 PHASES		
200-208 / 50-60	3 HP	30 HP
230-240 / 50-60	3 HP	30 HP
380-415 / 50-60	3 HP	30 HP
440-480 / 50-60	3 HP	30 HP
575-600 / 60	3 HP	30 HP

Notes:

- Standard NEMA: NEMA 2
- Standard paint : textured red RAL 3002.
- All dimensions are in inches [millimeters].
- Center of ViZiTouch screen: 29-5/8" [751] from bottom (no feet).
- Bottom conduit entrance through removable gland plate recommended.
- Use watertight conduit and connector only.
- Protect equipment against drilling chips.
- Door swing equal to door width.

Drawing for information only.
Manufacturer reserves the right to modify this drawing without notice.
Contact manufacturer for "As Built" drawing.



REV.	DESCRIPTION	DD/MM/YY	Drawing number
0	First issue	31/10/19	GPL-DI701 /E