

GT-FluxFP

Orifice Flow Meters

Standard Features

- Nominal size from 2"/ DN 50 to 12"/ DN 300
- Pump rate from 50 - 5 000 USgpm (185 - 19 000 lpm)
- Measuring range from 20 - 10 000 USgpm (75 - 38 000 lpm)
- Easy installation
 - Grooved connection
 - One threaded connection to connect the flow meter display (no tools required)
 - Multi-directional installation of the orifice plate (horizontal, vertical)
- Long lifespan
- Orifice plate can be mounted vertically or horizontally
- Stable flow reading (no bouncing)
- No purging required before using
- No periodic re-calibration required



Technical Data	
Measuring principle	Orifice plate flowmeter with variable flowmeter as indication
Input <ul style="list-style-type: none"> Nominal size <ul style="list-style-type: none"> Pressure limit Hydrostatically strength/ Pressure strengt 	<ul style="list-style-type: none"> 2"/DN 50 grooved ends (Ø60.3 mm) 2½"/DN 65 grooved ends (Ø73.0 mm) 3"/DN 80 grooved ends (Ø88.9 mm) 4"/DN 100 grooved ends (Ø114.3 mm) 6"/DN 150 grooved ends (Ø165.1 mm) 8"/DN 200 grooved ends (Ø219.1 mm) 10"/DN 250 grooved ends (Ø273.0 mm) 12"/DN 300 grooved ends (Ø323.9 mm) <ul style="list-style-type: none"> 232 psig (PN 16) 232 psig 928 psig (64 bar) for 5 min. (FM)
Measuring accuracy	<ul style="list-style-type: none"> ±2.0 % of full scale value (FM)
Application conditions <ul style="list-style-type: none"> Temperature limit Medium 	<ul style="list-style-type: none"> +4 °C to +50 °C (+39 °F to +122 °F) Water
Design/ Material <ul style="list-style-type: none"> Orifice plate 2"/DN 50 - 4"/DN 100 6"/DN 150 - 12"/DN 300 Differential pressure tube Float Bypass orifice Filter Seal 	<ul style="list-style-type: none"> Housing tube in stainless steel with turned grooved connection coated steel (RAL 3002) with rolled grooved connection¹⁾ Brass Stainless steel Stainless steel Stainless steel NBR
Certifications	FM Approval 3056052

¹⁾ optional in stainless steel with rolled grooved connection

Dimensions and Weights

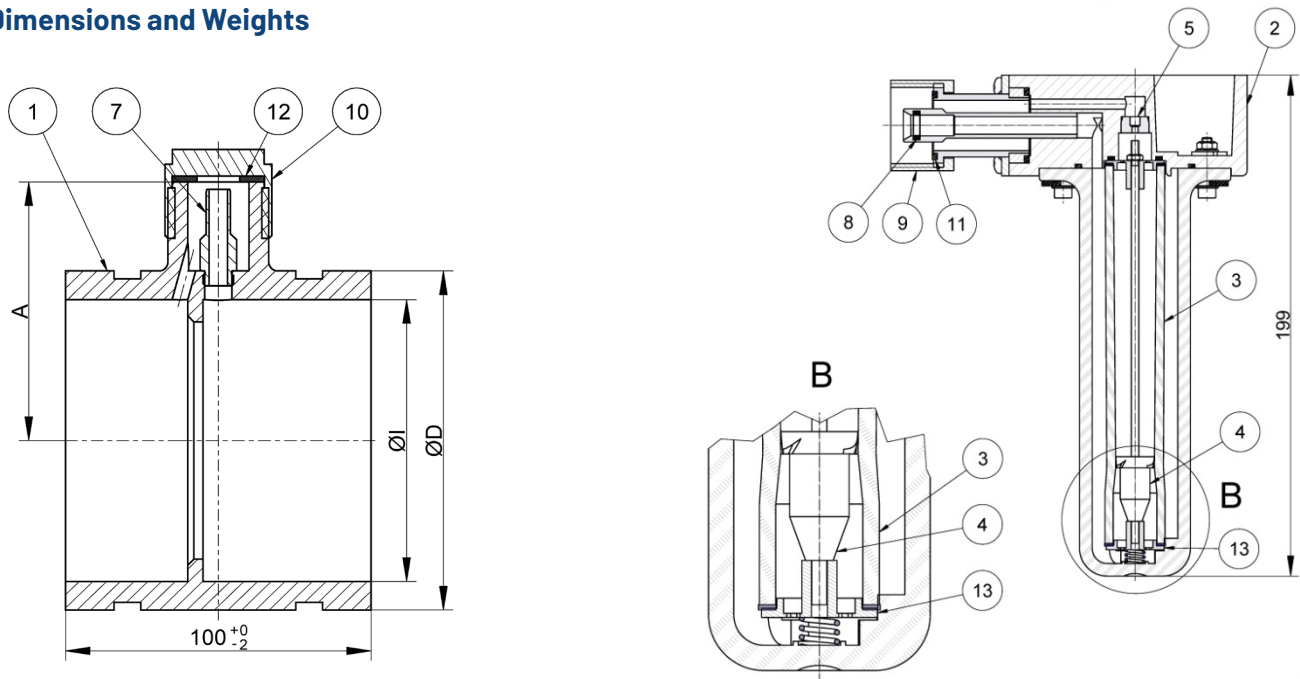


Fig. 1 GT-FluxFP orifice plate and bypass meter, Drawing and dimensions 2"/DN 50 - 4"/DN 100

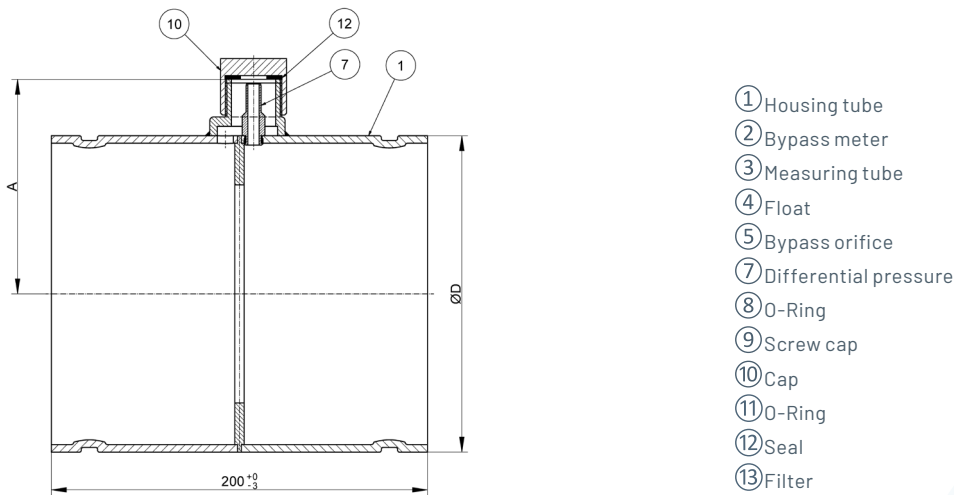


Fig. 2 GT-FluxFP orifice plate, Drawing and dimensions 6"/DN 150 - 12"/DN 300

Normal Size	Dimensions Inch (mm)		Packaging Size Inch (mm)	Weight (Average) incl. packing lbs (kg)
	Length	Diameter (Outside)		
2"/DN 50	3 ¹⁵ / ₁₆ " (100)	2 ³ / ₈ " (60.3)	15 (380) x 11 (270) x 10 (250)	4.5 (2.0)
2½"/DN 65	3 ¹⁵ / ₁₆ " (100)	2 ⁷ / ₈ " (73.0)	15 (380) x 11 (270) x 10 (250)	5 (2.1)
3"/DN 80	3 ¹⁵ / ₁₆ " (100)	3½" (88.9)	15 (380) x 11 (270) x 10 (250)	5.07 (2.3)
4"/DN 100	3 ¹⁵ / ₁₆ " (100)	4½" (114.3)	15 (380) x 11 (270) x 10 (250)	7.06 (3.2)
6"/DN 150	7 ⁷ / ₈ " (200)	6½" (165.1)	15 (380) x 11 (270) x 10 (250)	11 (5.0)
8"/DN 200	7 ⁷ / ₈ " (200)	8 ⁵ / ₈ " (219.1)	15 (380) x 11 (270) x 10 (250)	14.11 (6.4)
10"/DN 250	7 ⁷ / ₈ " (200)	10 ³ / ₄ " (273.0)	20 (500) x 14 (350) x 12 (300)	20.06 (9.1)
12"/DN 300	7 ⁷ / ₈ " (200)	12 ³ / ₄ " (323.9)	20 (500) x 14 (350) x 14 (350)	24.03 (11)

Description Code

GTFluxFP - 01

①

-



②

1	FM Approved
2	Model

Nominal Size/Pump Rating

Model	Nominal size grooved ends	Pump rating USgpm	Flow range		Approved
			USgpm	LPM	FM
0EB0	2"/DN 50 (Ø60.3)	50	20 - 100	75 - 375	X
0UC0	2½"/DN 65 (Ø73.0)	100	40 - 200	150 - 750	X
0GD0	3"/DN 80 (Ø88.9)	150	60 - 300	220 - 1100	X
0GE0	3"/DN 80 (Ø88.9)	200	80 - 400	300 - 1500	X
0HF0	4"/DN 100 (Ø114.3)	250	100 - 500	380 - 1900	X
0HG0	4"/DN 100 (Ø114.3)	300	120 - 600	460 - 2 300	X
0HH0	4"/DN 100 (Ø114.3)	400	160 - 800	600 - 3 000	X
0HJ0	4"/DN 100 (Ø114.3)	450	180 - 900	680 - 3 400	X
0KK0	6"/DN 150 (Ø168.3)	500	200 - 1000	760 - 3 800	X
0KL0	6"/DN 150 (Ø168.3)	750	300 - 1500	1130 - 5 650	X
0KM0	6"/DN 150 (Ø168.3)	1000	400 - 2 000	1500 - 7 500	X
0KN0	6"/DN 150 (Ø168.3)	1250	500 - 2 500	1900 - 9 500	X
0LP0	8"/DN 200 (Ø219.1)	1500	600 - 3 000	2 200 - 11 000	X
0LQ0	8"/DN 200 (Ø219.1)	2 000	800 - 4 000	3 000 - 15 000	X
0LR0	8"/DN 200 (Ø219.1)	2 500	1 000 - 5 000	3 800 - 19 000	X
0LS0	8"/DN 200 (Ø219.1)	3 000	1 200 - 6 000	4 500 - 22 500	X
0MT0	10"/DN 250 (Ø273.0)	3 500	1 400 - 7 000	5 300 - 26 500	X
0MU0	10"/DN 250 (Ø273.0)	4 000	1 600 - 8 000	6 000 - 30 000	X
0MV0	10"/DN 250 (Ø273.0)	4 500	1 800 - 9 000	6 800 - 34 000	X
0NW0	12"/DN 300 (Ø323.9)	5 000	2 000 - 10 000	7 600 - 38 000	X

AMERICAS

Tornatech Inc.

Head Office

Laval, Quebec, Canada

Tel: + 1 514 334 0523

Toll free: + 1 800 363 8448

EUROPE

Tornatech Europe SPRL

Wavre, Belgium

Tel: + 32 (0) 10 84 40 01

MIDDLE EAST

Tornatech FZE

Dubai, United Arab Emirates

Tel: + 971 (0) 4 887 0615

ASIA

Tornatech Pte Ltd.

Singapore

Tel: + 65 6795 8114

Tel: + 65 6795 7823