



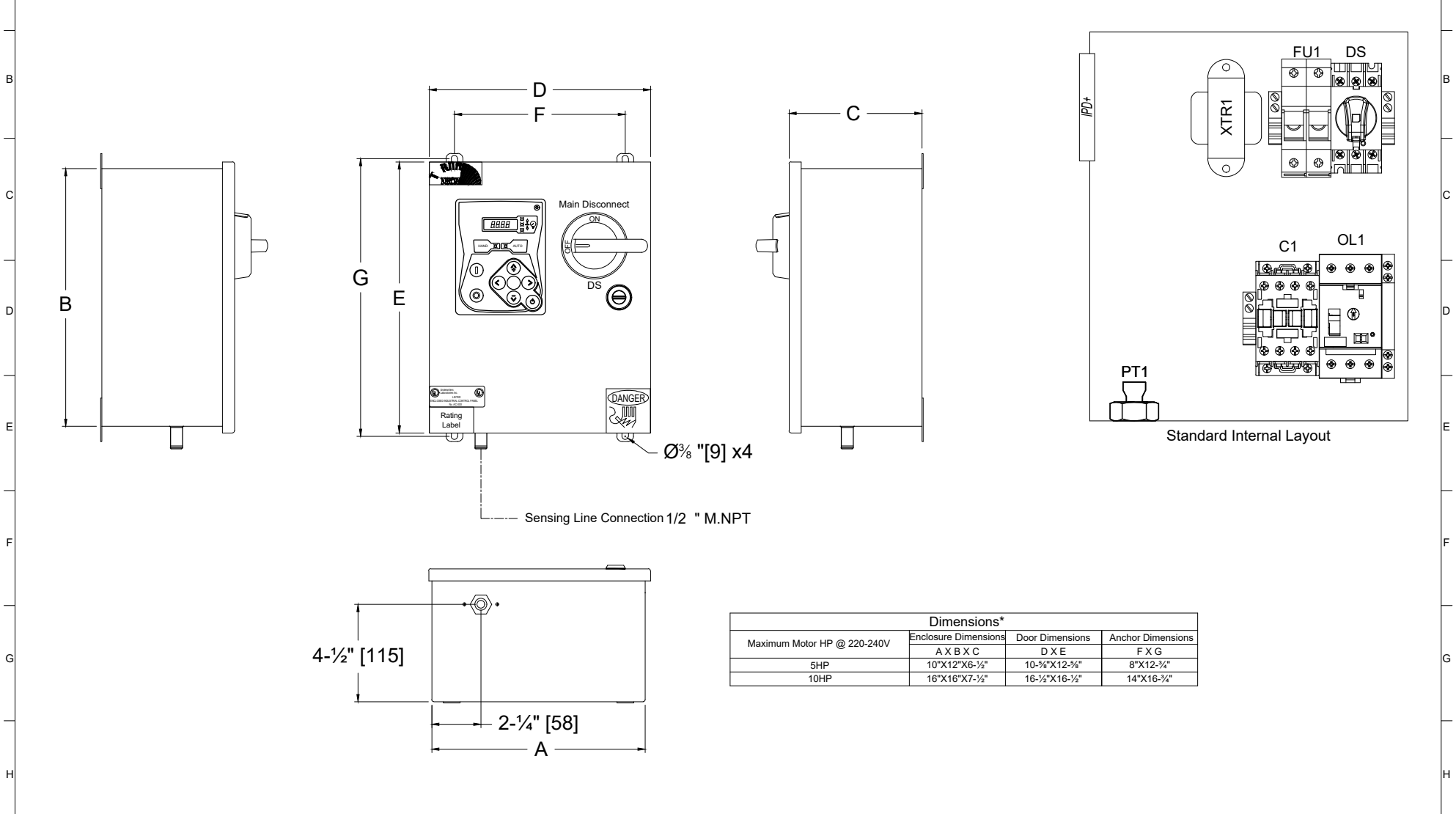
Jockey Pump Controller

Across the Line / 1 Phase

Model:JP2

Dimensions

PER QUOTE DRAWING No.		 NYC Dpt of Building Approved	
REV	DESCRIPTION		
8	Sensing line connection changed	25/03/20	Drawing No. JP2-DI500/E
9	UL logo updated CSA logo removed	14/07/20	
10	Removed Seismic logo (optional)	18/05/22	



$\varnothing\frac{9}{16}$ " [9] x4

Sensing Line Connection 1/2" M.NPT

Standard Internal Layout

Maximum Motor HP @ 220-240V	Dimensions*		
	Enclosure Dimensions A X B X C	Door Dimensions D X E	Anchor Dimensions F X G
5HP	10"X12"X6-1/2"	10-5/8"X12-3/4"	8"X12-3/4"
10HP	16"X16"X7-1/2"	16-1/2"X16-1/2"	14"X16-3/4"

- Notes:
- Standard NEMA: NEMA 2
 - Standard Paint: Textured Red RAL 3002.
 - All Dimensions are in Inches [Millimeters]
 - Use Watertight Conduit and Connector Only.
 - Protect Equipment Against Drilling Chips.
 - Door Swing Equal to Door Width

Drawing for information only.
 Manufacturer reserves the right to modify this drawing without notice.
 Contact manufacturer for "As Built" drawing.
 *Dimensions may change depending on option required. Consult Factory for exact dimensions.

