



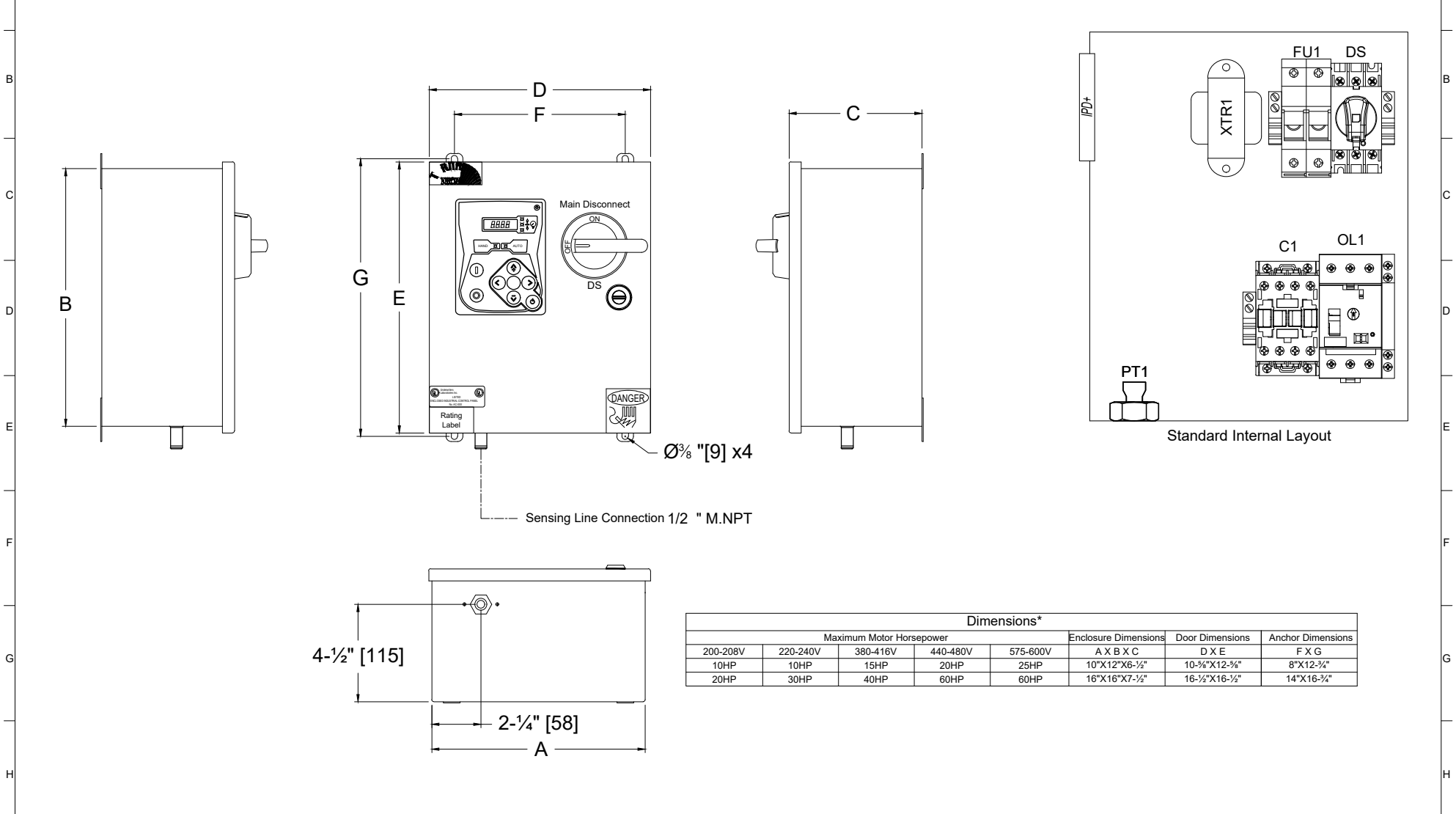
Jockey Pump Controller

Across the Line / 3 Phase

Model:JP3

Dimensions

PER QUOTE DRAWING No.			NYC Dpt of Building Approved	
REV	DESCRIPTION			
8	Sensing line connection changed	25/03/20	Drawing No. JP3-DI500/E	
9	UL logo updated CSA logo removed	14/07/20		
10	Removed Seismic logo (optional)	18/05/22		



Ø% "[9] x4

Sensing Line Connection 1/2 " M.NPT

Standard Internal Layout

Dimensions*					Enclosure Dimensions A X B X C	Door Dimensions D X E	Anchor Dimensions F X G
Maximum Motor Horsepower							
200-208V	220-240V	380-416V	440-480V	575-600V	10"X12"X6-1/2"	10-3/4"X12-3/4"	8"X12-3/4"
10HP	10HP	15HP	20HP	25HP	16"X16"X7-1/2"	16-1/2"X16-1/2"	14"X16-1/4"
20HP	30HP	40HP	60HP	60HP			

- Notes:
- Standard NEMA: NEMA 2
 - Standard Paint: Textured Red RAL 3002.
 - All Dimensions are in Inches [Millimeters]
 - Use Watertight Conduit and Connector Only.
 - Protect Equipment Against Drilling Chips.
 - Door Swing Equal to Door Width

Drawing for information only.
 Manufacturer reserves the right to modify this drawing without notice.
 Contact manufacturer for "As Built" drawing.
 *Dimensions may change depending on option required. Consult Factory for exact dimensions.

