



© Tornatech, Inc. Not for construction.
Subject to change without notice.

	BY	DD/MM/YY
DRAWN BY	ACD	15/05/23
FINAL APPROVAL	FC	15/05/23

JOCKEY PUMP CONTROLLER

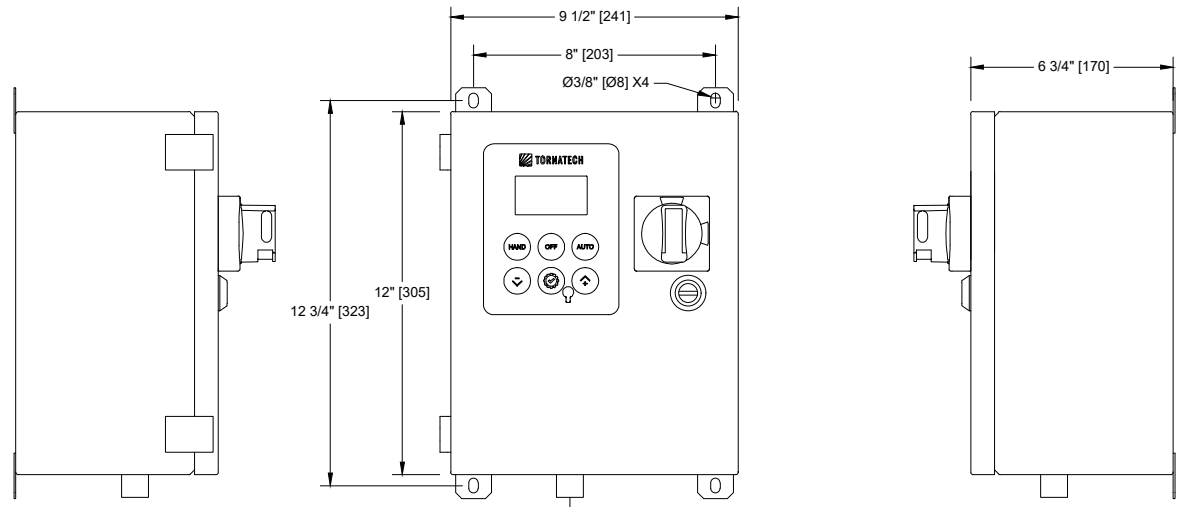
MODEL: JPLT

BUILT TO THE LATEST EDITION OF THE UL 508A

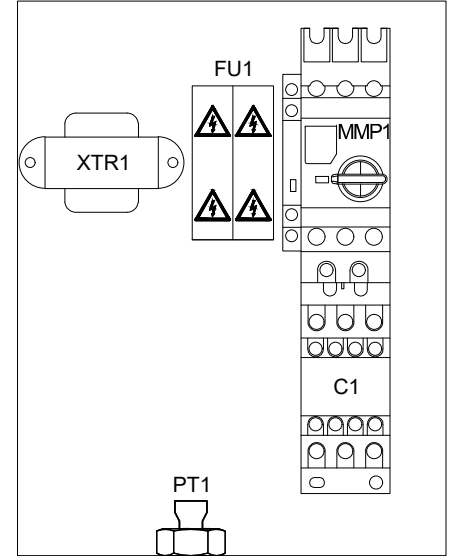
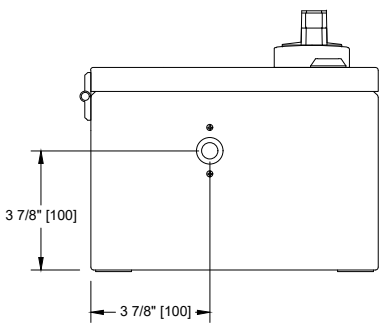


THIRD ANGLE PROJECTION

DRAWING NUMBER	JPLT-D1001/E
DWG REV. 0	
SHEET 1 OF 1	



Sensing Line Connection 1/2 " M.NPT



Standard Internal Layout

Voltage / Power Table	
Voltage	Max HP
1 Phase	
110 - 120	2
200 - 208	5
220 - 240	5
3 Phases	
200 - 208	7.5
220 - 240	10
380 - 400 - 415	15
440 - 480	20
600	25

- Notes:**
- Standard NEMA: NEMA 2
 - Standard Paint: Textured Red RAL 3002.
 - All Dimensions are in Inches [Millimeters]
 - Use Watertight Conduit and Connector Only.
 - Protect Equipment Against Drilling Chips.
 - Door Swing Equal to Door Width

Drawing for information only.
Manufacturer reserves the right to modify this drawing without notice.
Contact manufacturer for "As Built" drawing.
*Dimensions may change depending on option required. Consult Factory for exact dimensions.