

# Model LPL

## Low Water Level Lockout Panel

### Main Features

- NEMA 2 enclosure
- Visual indication of
  - a. Supervisory Power On
  - b. Low level
  - c. Low level lockout
- Audible alarm with silence pushbutton
- Provision to connect two float switches  
(float switches supplied by others)

The model LPL low water level lockout panel is specifically designed for applications where the authority having jurisdiction or local by-laws require or allow the shutdown of a fire pump under a low water level condition. It can interface with either an electric or diesel fire pump controller however the appropriate lockout/ interlock must be ordered on the fire pump controller (see firepump controller options list for details).

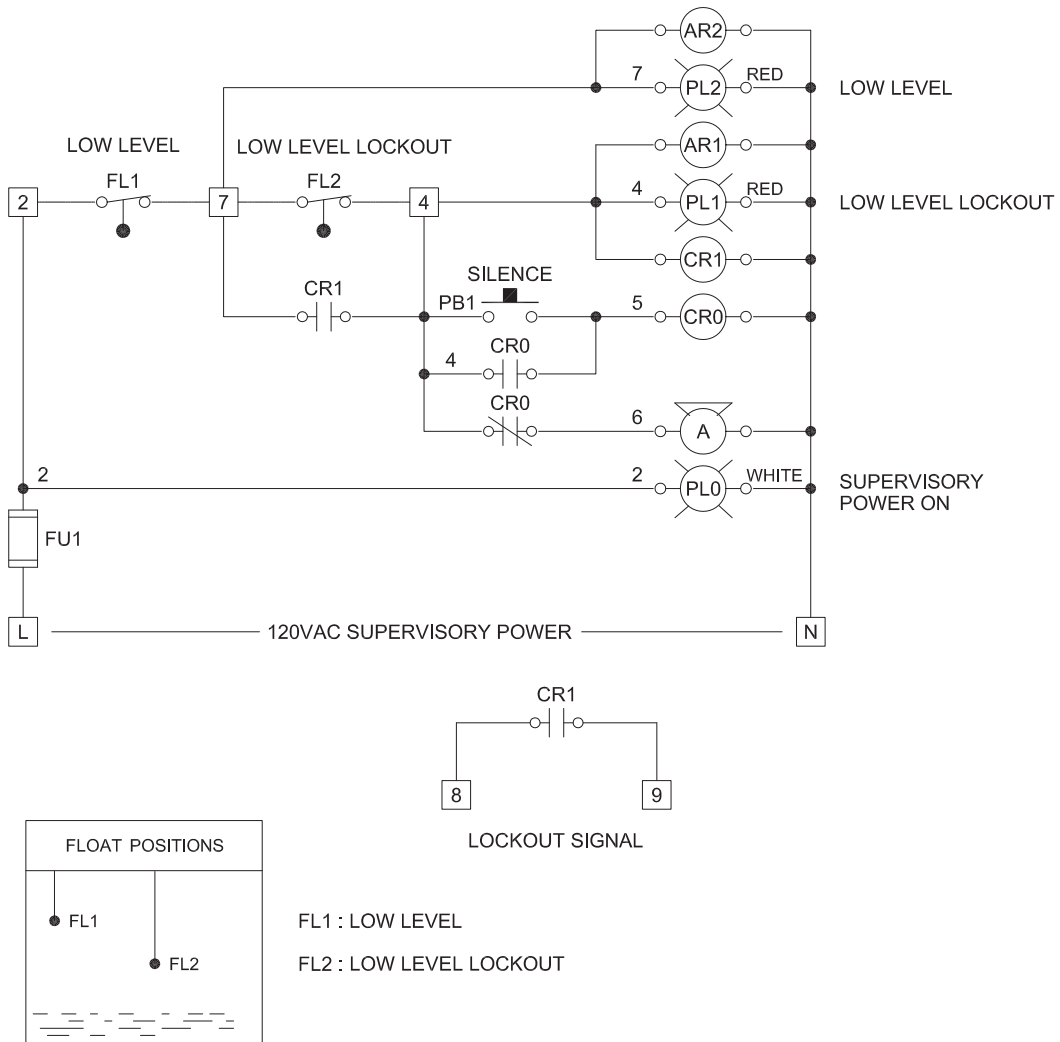
The LPL will prevent an automatic start of the fire pump and will stop an automatically started fire pump if a low water level condition appears. It will not stop a fire pump that is started manually (START pushbutton) or with the emergency start handle.



The panel is supplied as standard to be operated by 120V.AC power from a supervised source independent of the fire pump controller.

The model LPL low water level lockout panel is built in accordance with the latest Underwriters Laboratory UL508A.

# LOW WATER LEVEL LOCKOUT PANEL



**HOW TO ORDER:** LPL - V / Ph / Hz / Options  
 Ex.: LPL - 120 / 1 / 60 / Options

**AMERICAS**  
**Tornatech Inc.**  
**Head Office**  
**Laval, Quebec, Canada**  
 Tel: +1 514 334 0523  
 Toll free: +1 800 363 8448