



© Tornatech, Inc. Not for construction.
Subject to change without notice.

BY		DD/MM/YY	
DRAWN BY	ZS	10/07/23	
FINAL APPROVAL	FC	10/07/23	

ELECTRIC FIRE PUMP CONTROLLER

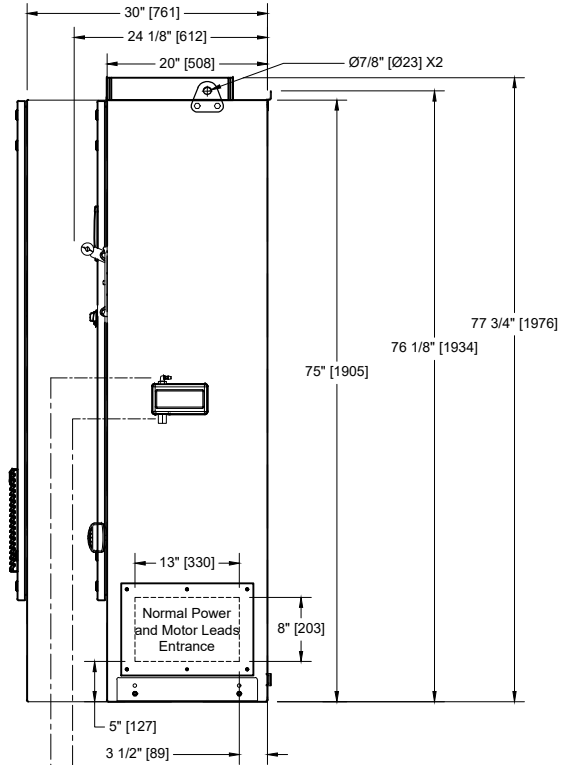
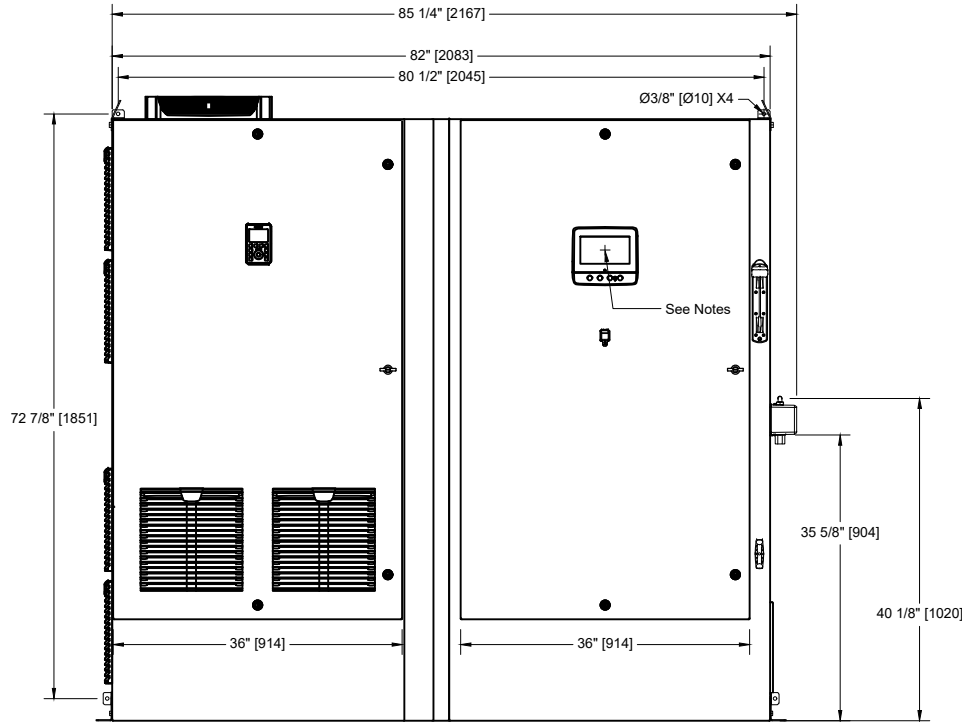
MODEL: VPA / VPS

BUILT TO THE LATEST EDITION OF THE NFPA20 & NFPA70



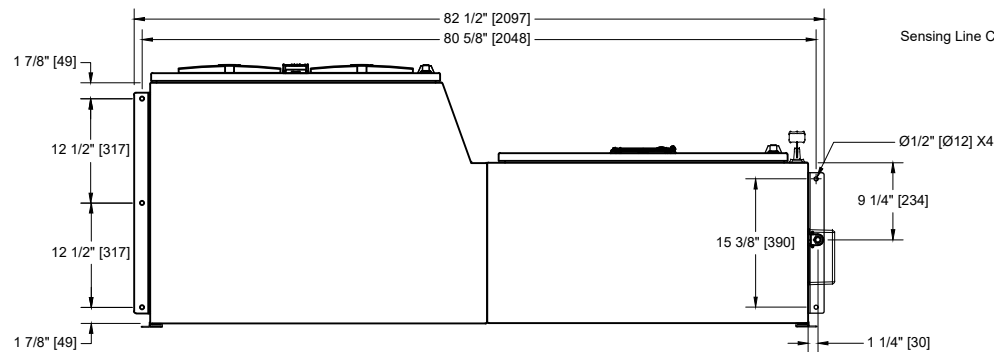
THIRD ANGLE
PROJECTION

DRAWING NUMBER	VPX-DI804 /E
DWG REV. 0	
SHEET 1 OF 1	



Drain - 3/8" M.TUBE

Sensing Line Connection - 1/2" F.NPT



Voltage / Power Table

Voltage	Min HP	Max HP
380 - 400 - 415	200	250
440 - 480	250	300

Notes:

- Standard: NEMA 12
- Standard paint : textured red RAL 3002.
- All dimensions are in inches [millimeters].
- Center of screen: 29-5/8" [751] from bottom (no feet).
- Side conduit entrance through removable gland plate recommended.
- Use watertight conduit and connector only.
- Protect equipment against drilling chips.
- Door swing equal to door width.