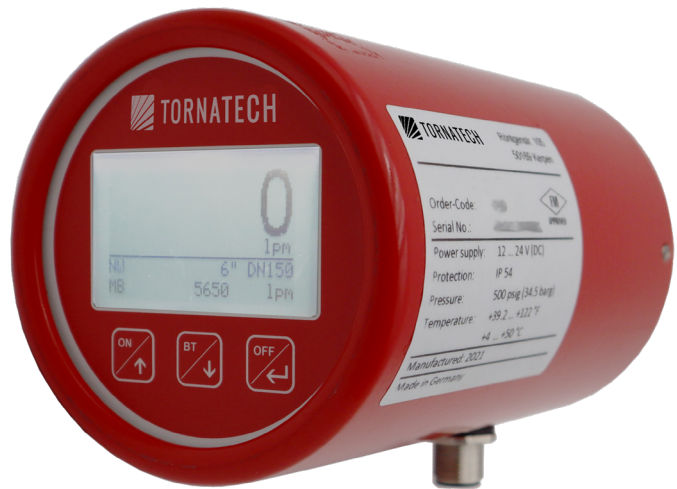


# GT-FluxFP-D

## Orifice Type - Digital Flow Meters

### Standard Features

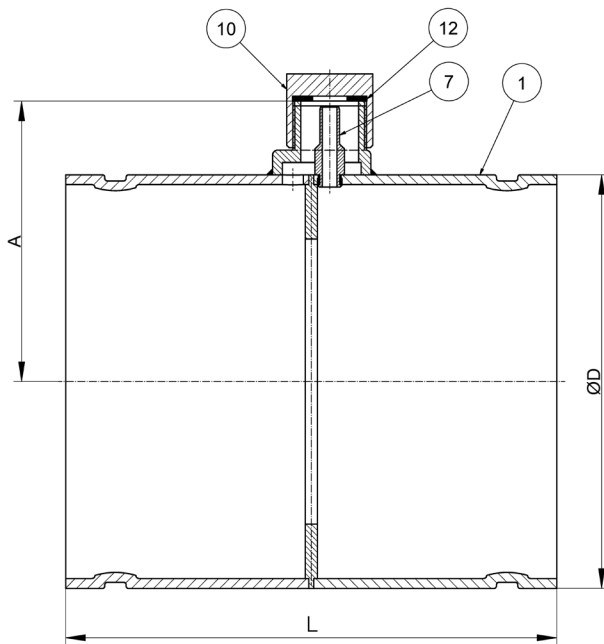
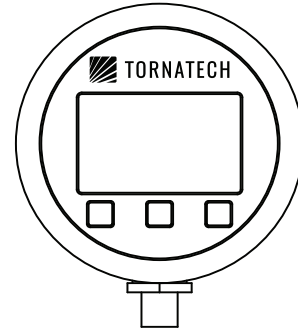
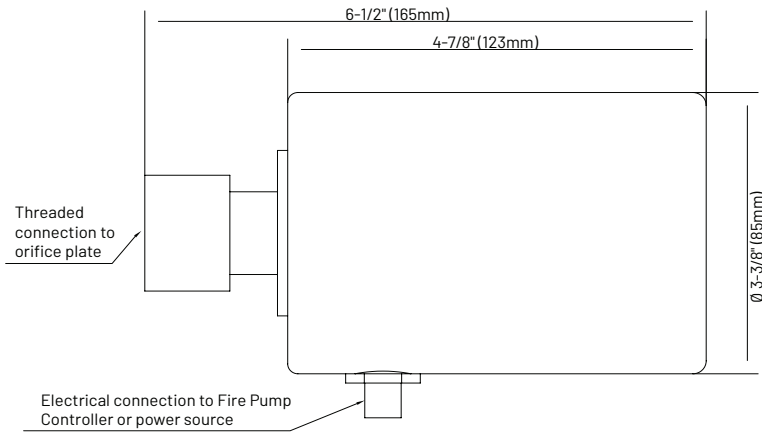
- 2.4" LCD illuminated display
- Nominal size from 2" / DN 50 to 12" / DN 300
- Pump rate from 50 - 5 000 USgpm (185 - 19 000 lpm)
- Measuring range from 20 - 10 000 USgpm (75 - 38 000 lpm)
- Easy installation
  - Grooved connection
  - One threaded connection to connect the flow meter display (no tools required)
  - Multi-directional installation of the orifice plate (horizontal, vertical)
- Long lifespan
- Orifice plate can be mounted vertically or horizontally
- Stable flow reading (no bouncing)
- No purging required before using
- Power supply included



Technical Data	
Measuring principle	Orifice plate flowmeter with 2.4" illuminated digital display
Input <ul style="list-style-type: none"> <li>Nominal size</li> </ul>	<ul style="list-style-type: none"> <li>2"/DN 50 grooved ends (Ø60.3 mm)</li> <li>2½"/DN 65 grooved ends (Ø73.0 mm)</li> <li>3"/DN 80 grooved ends (Ø88.9 mm)</li> <li>4"/DN 100 grooved ends (Ø114.3 mm)</li> <li>6"/DN 150 grooved ends (Ø168.3 mm)</li> <li>8"/DN 200 grooved ends (Ø219.1 mm)</li> <li>10"/DN 250 grooved ends (Ø273.0 mm)</li> <li>12"/DN 300 grooved ends (Ø323.9 mm)</li> </ul>
<ul style="list-style-type: none"> <li>Operating pressures</li> </ul>	<ul style="list-style-type: none"> <li>500 PSI (34.5 bar) from 2" (Ø60.3 mm) to 8" (Ø219.1 mm)</li> <li>232 PSI (16 bar) from 10" (Ø219.1 mm) to 12" (Ø323.9 mm)</li> </ul>
<ul style="list-style-type: none"> <li>Hydrostatically strength/Pressure strength</li> </ul>	<ul style="list-style-type: none"> <li>1000 PSI (69 bar) for 5 minutes</li> </ul>
Measuring accuracy	<ul style="list-style-type: none"> <li>±2.0 % of full scale value (FM)</li> </ul>
Application conditions <ul style="list-style-type: none"> <li>Temperature limit</li> <li>Medium</li> </ul>	<ul style="list-style-type: none"> <li>+4 °C to +50 °C (+39 °F to +122 °F)</li> <li>Water</li> </ul>
Design/ Material <ul style="list-style-type: none"> <li>Orifice plate 2"/DN 50 - 4"/DN 100 6"/DN 150 - 12"/DN 300</li> </ul>	<ul style="list-style-type: none"> <li>Housing tube in stainless steel with turned grooved connection coated steel (RAL 3002) with rolled grooved connection<sup>1)</sup></li> </ul>

<sup>1)</sup> optional in stainless steel with rolled grooved connection

## Dimensions and Weights



- ① Housing tube
- ⑦ Differential pressure
- ⑩ Cap
- ⑫ Seal

Normal Size	Dimensions Inch (mm)		Packaging Size Inch (mm)	Weight (Average) incl. packing lbs (kg)
	Length (L)	Diameter (Outside)		
2"/DN 50	3 <sup>15</sup> / <sub>16</sub> " (100)	2 <sup>3</sup> / <sub>8</sub> " (60.3)	15 (380) x 11 (270) x 10 (250)	6 (2.7)
2½"/DN 65	3 <sup>15</sup> / <sub>16</sub> " (100)	2 <sup>7</sup> / <sub>8</sub> " (73.0)	15 (380) x 11 (270) x 10 (250)	6.5 (2.9)
3"/DN 80	3 <sup>15</sup> / <sub>16</sub> " (100)	3½" (88.9)	15 (380) x 11 (270) x 10 (250)	6.57 (3.0)
4"/DN 100	3 <sup>15</sup> / <sub>16</sub> " (100)	4½" (114.3)	15 (380) x 11 (270) x 10 (250)	8.56 (3.9)
6"/DN 150	7 <sup>7</sup> / <sub>8</sub> " (200)	6½" (165.1)	15 (380) x 11 (270) x 10 (250)	12.5 (5.7)
8"/DN 200	7 <sup>7</sup> / <sub>8</sub> " (200)	8 <sup>5</sup> / <sub>8</sub> " (219.1)	15 (380) x 11 (270) x 10 (250)	15.61 (7.1)
10"/DN 250	7 <sup>7</sup> / <sub>8</sub> " (200)	10 <sup>3</sup> / <sub>4</sub> " (273.0)	20 (500) x 14 (350) x 12 (300)	21.56 (9.8)
12"/DN 300	7 <sup>7</sup> / <sub>8</sub> " (200)	12 <sup>3</sup> / <sub>4</sub> " (323.9)	20 (500) x 14 (350) x 14 (350)	25.53 (11.6)

## Description Code

GT-FluxFP - D1



1	Model
---	-------

## Nominal Size/Pump Rating

Model	Nominal size grooved ends	Pump rating USgpm	Flow range		Approval
			USgpm	LPM	FM
OEBO	2"/DN 50 (Ø60.3)	50	20 - 100	75 - 375	✓
OUCO	2½"/DN 65 (Ø73.0)	100	40 - 200	150 - 750	✓
OGDO	3"/DN 80 (Ø88.9)	150	60 - 300	220 - 1100	✓
OGEO	3"/DN 80 (Ø88.9)	200	80 - 400	300 - 1500	✓
OHFO	4"/DN 100 (Ø114.3)	250	100 - 500	380 - 1900	✓
OHGO	4"/DN 100 (Ø114.3)	300	120 - 600	460 - 2 300	✓
OHHO	4"/DN 100 (Ø114.3)	400	160 - 800	600 - 3 000	✓
OHJO	4"/DN 100 (Ø114.3)	450	180 - 900	680 - 3 400	✓
OKKO	6"/DN 150 (Ø168.3)	500	200 - 1000	760 - 3 800	✓
OKLO	6"/DN 150 (Ø168.3)	750	300 - 1500	1130 - 5 650	✓
OKMO	6"/DN 150 (Ø168.3)	1000	400 - 2 000	1500 - 7 500	✓
OKNO	6"/DN 150 (Ø168.3)	1250	500 - 2 500	1900 - 9 500	✓
OLPO	8"/DN 200 (Ø219.1)	1500	600 - 3 000	2 200 - 11 000	✓
OLQO	8"/DN 200 (Ø219.1)	2000	800 - 4 000	3 000 - 15 000	✓
OLRO	8"/DN 200 (Ø219.1)	2500	1000 - 5 000	3 800 - 19 000	✓
OLSO	8"/DN 200 (Ø219.1)	3000	1200 - 6 000	4 500 - 22 500	✓
OMTO	10"/DN 250 (Ø273.0)	3500	1400 - 7 000	5 300 - 26 500	✓
OMUO	10"/DN 250 (Ø273.0)	4000	1600 - 8 000	6 000 - 30 000	✓
OMVO	10"/DN 250 (Ø273.0)	4500	1800 - 9 000	6 800 - 34 000	✓
ONWO	12"/DN 300 (Ø323.9)	5000	2 000 - 10 000	7 600 - 38 000	✓

### AMERICAS

Tornatech Inc.  
Head Office  
Laval, Quebec, Canada  
Tel: + 1 514 334 0523  
Toll free: + 1 800 363 8448

### EUROPE

Tornatech Europe SA  
Mont-Saint-Guibert, Belgium  
Tel: + 32 (0) 10 84 40 01

### MIDDLE EAST

Tornatech FZE  
Dubai, United Arab Emirates  
Tel: + 971 (0) 4 821 7555

### ASIA

Tornatech Pte Ltd.  
Singapore  
Tel: + 65 6795 8114  
Tel: + 65 6795 7823