



TORNATECH

Project: _____

Customer: _____

Engineer: _____

Pump Manufacturer: _____

Technical Data Submittal Document

Model GT-FluxFP

Orifice Flow Meters



Contents:

Data Sheets

Dimensions and Weights

Note: The drawings included in this package are for flow meters covered under our standard offering. Actual AS BUILT drawings may differ from what is shown in this package.





Technical Data	
Measuring principle	Orifice plate flowmeter with variable flowmeter as indication
Input <ul style="list-style-type: none"> Nominal size <ul style="list-style-type: none"> Pressure limit Hydrostatically strength/ Pressure strengt 	<ul style="list-style-type: none"> 2"/DN 50 grooved ends (Ø60.3 mm) 2½"/DN 65 grooved ends (Ø73.0 mm) 3"/DN 80 grooved ends (Ø88.9 mm) 4"/DN 100 grooved ends (Ø114.3 mm) 6"/DN 150 grooved ends (Ø168.3 mm) 8"/DN 200 grooved ends (Ø219.1 mm) 10"/DN 250 grooved ends (Ø273.0 mm) 12"/DN 300 grooved ends (Ø323.9 mm) <ul style="list-style-type: none"> 232 psig (PN 16) 232 psig 928 psig (64 bar) for 5 min. (FM)
Measuring accuracy	<ul style="list-style-type: none"> ±2.0 % of full scale value (FM)
Application conditions <ul style="list-style-type: none"> Temperature limit Medium 	<ul style="list-style-type: none"> +4 °C to +50 °C (+39 °F to +122 °F) Water
Design/ Material <ul style="list-style-type: none"> Orifice plate 2"/DN 50 - 4"/DN 100 6"/DN 150 - 12"/DN 300 Differential pressure tube Float Bypass orifice Filter Seal 	<ul style="list-style-type: none"> Housing tube in stainless steel with turned grooved connection coated steel (RAL 3002) with rolled grooved connection¹⁾ Brass Stainless steel Stainless steel Stainless steel NBR
Certifications	FM Approval 3056052

¹⁾ optional in stainless steel with rolled grooved connection

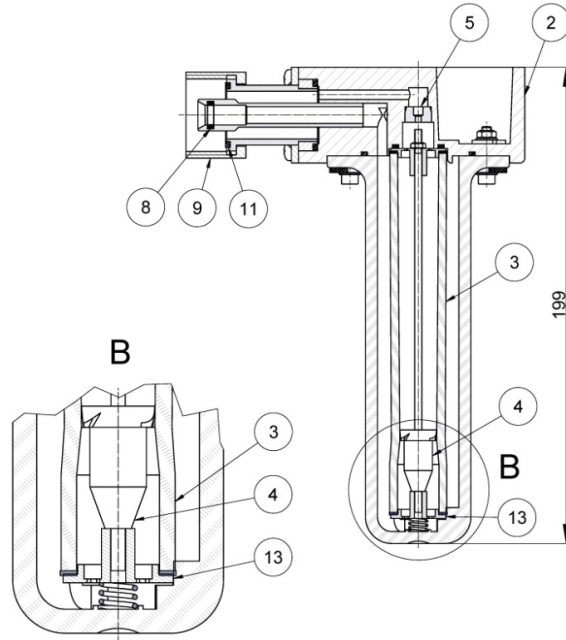
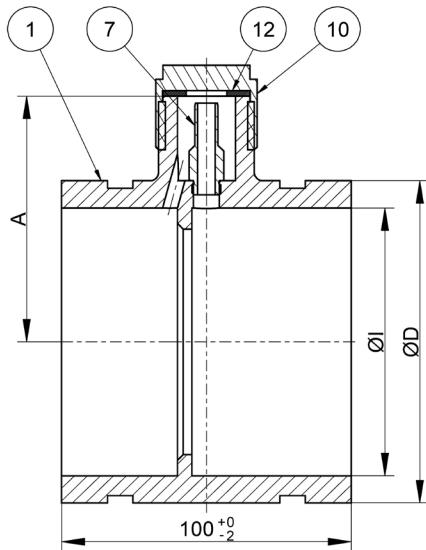
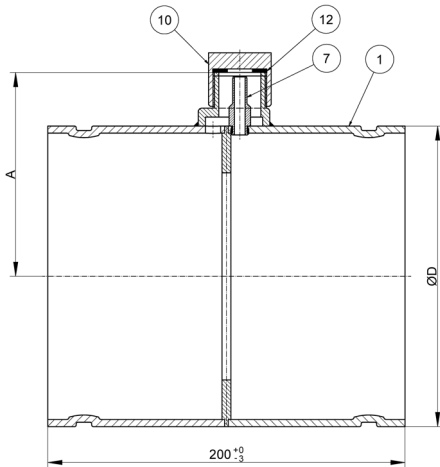
Dimensions and Weights


Fig. 1 GT-FluxFP orifice plate and bypass meter, Drawing and dimensions 2"/DN 50 - 4"/DN 100



- ① Housing tube
- ② Bypass meter
- ③ Measuring tube
- ④ Float
- ⑤ Bypass orifice
- ⑦ Differential pressure
- ⑧ O-Ring
- ⑨ Screw cap
- ⑩ Cap
- ⑪ O-Ring
- ⑫ Seal
- ⑬ Filter

Fig. 2 GT-FluxFP orifice plate, Drawing and dimensions 6"/DN 150 - 12"/DN 300

Normal Size	Dimensions Inch (mm)		Packaging Size Inch (mm)	Weight (Average) incl. packing lbs (kg)
	Length	Diameter (Outside)		
2"/DN 50	3 ¹⁵ / ₁₆ " (100)	2 ³ / ₈ " (60.3)	15 (380) x 11 (270) x 10 (250)	4.5 (2.0)
2 ¹ / ₂ "/DN 65	3 ¹⁵ / ₁₆ " (100)	2 ⁷ / ₈ " (73.0)	15 (380) x 11 (270) x 10 (250)	5 (2.1)
3"/DN 80	3 ¹⁵ / ₁₆ " (100)	3 ¹ / ₂ " (88.9)	15 (380) x 11 (270) x 10 (250)	5.07 (2.3)
4"/DN 100	3 ¹⁵ / ₁₆ " (100)	4 ¹ / ₂ " (114.3)	15 (380) x 11 (270) x 10 (250)	7.06 (3.2)
6"/DN 150	7 ⁷ / ₈ " (200)	6 ¹ / ₂ " (168.3)	15 (380) x 11 (270) x 10 (250)	11 (5.0)
8"/DN 200	7 ⁷ / ₈ " (200)	8 ⁵ / ₈ " (2191.1)	15 (380) x 11 (270) x 10 (250)	14.11 (6.4)
10"/DN 250	7 ⁷ / ₈ " (200)	10 ³ / ₄ " (273.0)	20 (500) x 14 (350) x 12 (300)	20.06 (9.1)
12"/DN 300	7 ⁷ / ₈ " (200)	12 ³ / ₄ " (323.9)	20 (500) x 14 (350) x 14 (350)	24.03 (11)



Description Code

GTFluxFP - 01

①



②

1	FM Approved
2	Model

Nominal Size/Pump Rating

Model	Nominal size grooved ends	Pump rating USgpm	Flow range		Approved
			USgpm	LPM	FM
<input type="checkbox"/> OEBO	2"/DN 50 (Ø60.3)	50	20 - 100	75 - 375	X
<input type="checkbox"/> OUCO	2½"/DN 65 (Ø73.0)	100	40 - 200	150 - 750	X
<input type="checkbox"/> OGD0	3"/DN 80 (Ø88.9)	150	60 - 300	220 - 1100	X
<input type="checkbox"/> OGE0	3"/DN 80 (Ø88.9)	200	80 - 400	300 - 1500	X
<input type="checkbox"/> OHF0	4"/DN 100 (Ø114.3)	250	100 - 500	380 - 1900	X
<input type="checkbox"/> OHG0	4"/DN 100 (Ø114.3)	300	120 - 600	460 - 2 300	X
<input type="checkbox"/> OHH0	4"/DN 100 (Ø114.3)	400	160 - 800	600 - 3 000	X
<input type="checkbox"/> OHJ0	4"/DN 100 (Ø114.3)	450	180 - 900	680 - 3 400	X
<input type="checkbox"/> OKK0	6"/DN 150 (Ø168.3)	500	200 - 1 000	760 - 3 800	X
<input type="checkbox"/> OKL0	6"/DN 150 (Ø168.3)	750	300 - 1 500	1 130 - 5 650	X
<input type="checkbox"/> OKM0	6"/DN 150 (Ø168.3)	1 000	400 - 2 000	1 500 - 7 500	X
<input type="checkbox"/> OKN0	6"/DN 150 (Ø168.3)	1 250	500 - 2 500	1 900 - 9 500	X
<input type="checkbox"/> OLP0	8"/DN 200 (Ø219.1)	1 500	600 - 3 000	2 200 - 11 000	X
<input type="checkbox"/> OLQ0	8"/DN 200 (Ø219.1)	2 000	800 - 4 000	3 000 - 15 000	X
<input type="checkbox"/> OLR0	8"/DN 200 (Ø219.1)	2 500	1 000 - 5 000	3 800 - 19 000	X
<input type="checkbox"/> OLS0	8"/DN 200 (Ø219.1)	3 000	1 200 - 6 000	4 500 - 22 500	X
<input type="checkbox"/> OMT0	10"/DN 250 (Ø273.0)	3 500	1 400 - 7 000	5 300 - 26 500	X
<input type="checkbox"/> OMU0	10"/DN 250 (Ø273.0)	4 000	1 600 - 8 000	6 000 - 30 000	X
<input type="checkbox"/> OMV0	10"/DN 250 (Ø273.0)	4 500	1 800 - 9 000	6 800 - 34 000	X
<input type="checkbox"/> ONW0	12"/DN 300 (Ø323.9)	5 000	2 000 - 10 000	7 600 - 38 000	X